

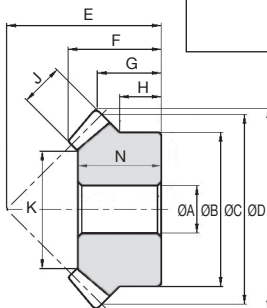
## Ratio 1:1

## Nylon MC901

- Module 1 to 2.5
- Pressure angle 20°
- Teeth: Gleason
- Material :  
Nylon MC901
- Two gears required to make a pair

### Info.

- Plastic gears are susceptible to the effects of temperature and moisture. Dimensional changes may occur while performing secondary operations and during post-machining operations.



### DISCOUNTS

Qty	1+	6+	10+
Disc.	List	-12%	On request

Part number	Module	Teeth											Weight (g)	Price each 1 à 5	
		Z	ØA	ØB	ØC	ØD	E	F	G	H	N	J			K
ZB1-20-RA	1	20	6	16	20	21,41	20	13,95	10,71	8	12	5	9,86	2,77	23,67 €
ZB1-25-RA		25	6	20	25	26,41	23	15,16	11,21	8	14	6	15,03	5,13	27,82 €
ZB1-30-RA		30	8	24	30	31,41	28	17,71	13,71	10	16	6	19,03	8,44	35,72 €
ZB1.25-20-RA	1,25	20	8	22	25	26,77	23	15,27	11,38	9	13	6	13,03	5,31	26,77 €
ZB1.25-25-RA		25	8	25	31,25	33,02	28	17,88	13,26	9,25	16	7	18,70	9,27	31,36 €
ZB1.5-20-RA	1,5	20	8	26	30	32,12	30	21,24	16,06	13	19	8	15,37	11,0	29,90 €
ZB1.5-25-RA		25	8	30	37,5	39,62	34	22,25	16,31	11,5	19	9	19,54	17,0	37,15 €
ZB1.5-30-RA		30	10	36	45	47,12	43	28,24	21,56	16	25	10	25,72	30,9	52,96 €
ZB2-20-RA	2	20	10	34	40	42,83	37	24,89	18,41	14	22	10	21,72	22,5	40,70 €
ZB2-25-RA		25	10	40	50	52,83	40	24,33	16,41	10	20	12	26,06	32,7	51,49 €
ZB2-30-RA		30	12	45	60	62,83	50	29,43	21,41	12,5	25	12	36,06	54,5	68,96 €
ZB2.5-20-RA		20	12	42	50	53,54	48	32,54	24,77	19	29	12	28,06	45,9	54,83 €
ZB2.5-25-RA		25	14	50	62,5	66,04	50	30,41	20,52	12,5	26	15	34,57	63,9	70,39 €
ZB2.5-30-RA	2,5	30	16	60	75	78,54	62	36,28	26,27	17	32	15	47,57	113	97,19 €

Dimensions in mm

## Nylon MC901

### Ratio

# 1,5:1 2:1 3:1

- Module 1 to 2.5
- Pressure angle 20°
- Teeth: Gleason
- Material :  
Nylon MC901
- Two gears required to make a pair



### Info.

- Plastic gears are susceptible to the effects of temperature and moisture. Dimensional changes may occur while performing secondary operations and during post-machining operations.

### DISCOUNTS

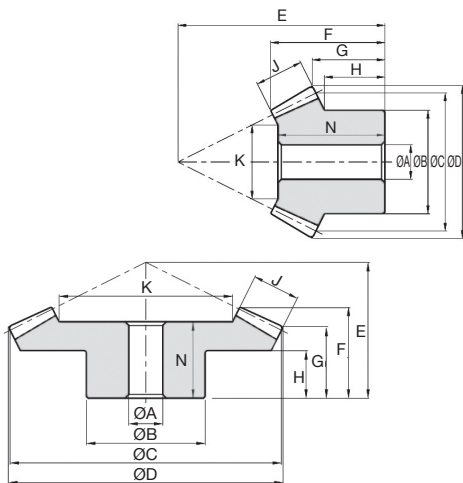
Qty	1+	6+	10+
Disc.	List	-12%	On request

Part number	Teeth Module	Z	ØA	ØB	ØC	ØD	E	F	G	H	N	J	K	Weight (g)	Price each 1 à 5
<b>Ratio 1,5:1</b>															
ZHB1.5-20-RA	1,5	20	8	25	30	33,13	33	18,63	11,54	8,83	17	9	17,05	0,009	30,51 €
ZHB1.5-30-RA		30	10	30	45	46,24	28	18,53	13,93	8,00	16	9	27,37	0,018	44,44 €
ZHB2-20-RA	2	20	10	35	40	44,18	45	25,06	16,39	13,33	22	11	21,34	0,024	42,36 €
ZHB2-30-RA		30	10	35	60	61,65	40	26,87	21,24	15,00	23	11	37,56	0,039	65,21 €
ZHB2.5-20-RA	2,5	20	12	40	50	55,22	55	31,06	19,24	14,16	28	15	27,42	0,042	57,72 €
ZHB2.5-30-RA		30	15	45	75	77,07	50	34,22	26,55	18,00	30	15	45,61	0,081	89,73 €
<b>Ratio 2:1</b>															
ZDB1-20-RA	1	20	6	16	20	22,41	28	13,78	8,60	7,00	12	6	9,17	0,003	25,75 €
ZDB1-40-RA		40	8	25	40	40,59	22	15,07	12,59	8,00	12	6	26,58	0,010	45,91 €
ZDB1.25-20-RA	1,25	20	8	22	25	28,01	36	18,66	11,75	10,25	17	8	13,22	0,007	29,70 €
ZDB1.25-40-RA		40	10	32	50	50,73	27	18,54	15,23	10,00	16	8	33,61	0,021	55,85 €
ZDB1.5-20-RA	1,5	20	8	25	30	33,61	46	25,54	16,90	14,75	24	10	17,28	0,013	34,26 €
ZDB1.5-40-RA		40	10	38	60	60,88	35	25,01	20,88	15,00	22	10	39,64	0,039	66,68 €
ZDB2-20-RA	2	20	12	32	40	44,81	60	34,16	21,20	18,00	32	15	20,92	0,028	46,31 €
ZDB2-40-RA		40	12	40	80	81,17	45	32,37	26,17	18,00	27	15	48,46	0,076	98,66 €
ZDB2.5-20-RA	2,5	20	12	40	50	56,01	75	43,78	26,50	22,50	41	20	24,56	0,060	65,42 €
ZDB2.5-40-RA		40	15	50	100	101,47	55	39,73	31,47	20,00	35	20	60,28	0,160	152,26 €

Dimensions in mm

Ratio  
1,5:1  
2:1  
3:1

Nylon MC901



## DISCOUNTS

Qty	1+	6+	10+
Disc.	List	-12%	On request

Part number	Teeth											Weight (g)	Price each 1 à 5		
	Module Z	ØA	ØB	ØC	ØD	E	F	G	H	N	J			K	
<b>Ratio 3:1</b>															
ZTB1.5-15-RA	1,5	15	8	18	22,5	26,54	47	23,19	13,92	12,50	22,5	10	14,75	0,006	30,51 €
ZTB1.5-45-RA		45	10	40	67,5	68,06	28	20,44	17,59	11,00	17	10	46,58	0,040	68,31 €
ZTB2-15-RA	2	15	10	24	30	35,35	60	29,80	15,89	14,00	29	15	19,13	0,014	37,80 €
ZTB2-45-RA		45	12	60	90	90,75	40	30,40	26,12	17,00	26	15	59,04	0,120	112,38 €
ZTB2.5-15-RA	2,5	15	12	30	37,5	44,18	75	38,41	19,86	17,50	37	20	20,51	0,028	48,19 €
ZTB2.5-45-RA		45	15	60	112,5	113,43	50	38,35	32,65	22,00	35	20	72,84	0,200	174,05 €

Dimensions in mm

## Our other products



SBS\_L

Chain link, Stainless steel



STRIP1000

Sealing brush strip, 1m length



AT5M AT10M

AT type timing belt per metre, AT10 Steel cored polyurethane



UTKswr

Utilitak® V rail, V rail



M1

Worm and wheel set, Bronze



SCE

U-shaped cable clamp, Steel



GPB

Threaded spherical knob, With brass insert



DOMI50

Accessories, Clamping lever



PTAF100-PAMF100

Articulated fixable foot with pressed



PCS\_PA6

Plastic sprocket, 9.525mm (DIN 06B-1)



VB

Small 6 lobe threaded handle - female,



M0

Worm and wheel set, Hardened steel

## Complementary products



SSHBRA

Stainless steel bevel gear, 1,5:1 2:1 3:1



SSBRA

Stainless steel bevel gear, 1:1