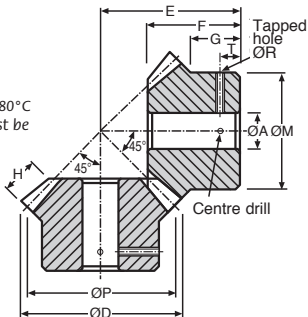




Ratio 1:1

Delrin

- **Module 3 to 6**
- Machined parts
- Pressure angle 20°
- Teeth Gleason
- Material:
Delrin plastic
- Working temp -50° to +80°C
- Two identical gears must be ordered to make a pair



TORQUE AND POWER INDICATION	For 20 teeth at 1000 rpm			
	3.0 MOD	4.0 MOD	5.0 MOD	6.0 MOD
Torque (Nm)	1.93	2.84	5	8
Power (kW)	0.20	0.83	0.54	0.85

DISCOUNTS

Qty	1+	6+	30+
Disc.	List	-22%	On request

Teeth												Price each	
Part number	Z	Module	ØP	E	ØD	ØA	ØM	F	G	H	ØR	T	1 to 5
ZB3-16	16	3	48	44,0	52,24	15	40,0	29,08	16,00	11	M5	8	On request
ZB3-19	19		57	49,0	61,24	16	50,0	31,01	17,02	13	M5	9	
ZB3-26	26		78	65,0	82,24	18	64,0	40,03	19,03	18	M6	10	
ZB3-30	30	90	68,5	94,24	20	76,0	39,65	16,51	21	M6	8		
ZB4-16	16	4	64	55,5	69,66	15	50,0	35,81	16,49	15	M5	8	
ZB4-19	19		76	65,0	81,66	18	62,5	41,43	20,24	18	M6	10	
ZB4-26	26		104	82,0	109,66	22	85,0	48,69	20,50	24	M6	10	
ZB4-30	30	120	90,0	125,66	25	102,0	51,51	21,00	28	M8	11		
ZB5-16	16	5	80	70,0	87,10	18	60,0	46,13	20,00	20	M8	11	
ZB5-20	20		100	80,0	107,10	20	80,0	49,04	21,50	24	M8	12	
ZB5-25	25		125	100,0	132,10	25	80,0	59,47	24,00	28	M10	14	
ZB5-30	30	150	114,0	157,10	30	100,0	65,87	26,00	35	M10	15		
ZB6-16	16	6	96	80,0	104,52	25	75,0	50,10	22,00	22	M10	12	
ZB6-20	20		120	90,0	128,52	30	96,0	52,32	18,50	28	M10	12	
ZB6-25	25		150	115,0	158,52	35	100,0	67,29	24,00	35	M10	14	
ZB6-30	30		180	130,0	188,52	35	120,0	72,24	28,00	42	M10	16	

Dimensions in mm

Our other products



T5-BAR
T type tooth bar
stock, T5



DCG
Suction cup, 2.5
bellows, natural
rubber



J65
Spur gear coaxial
gearbox, from 0.80 to
2.95 Nm - Inline



ACLERP
Roller block for
aluminium profile,
Without guide rail



MCL
Cylindrical threaded
sleeve, Cylindrical -
steel



CHAsb63
Hinge without pin,
Polymer pin hinge



T5_11
T type timing pulley,
T5 aluminium



FBL6000_K1
Brush strip per meter
PA6 fibres Ø0.2 to
Ø0.3, Black polyamide
6 -...



BL15
Right angled gearbox,
from 1.10 to 6 Nm



TAC
Rigging screw
(hook/eye), Steel



GSI
Stainless steel gas
spring, Stainless steel



NSU
Universal 90° support
clamp, Universal 90°
support clamp

Complementary products



SSB
Stainless steel bevel
gear, 1:1



MEB
Moulded plastic bevel
gear (nylon), 1:1