



# DryLin® W slide assembly

Size 20

WW20

A **WW20** slide assembly comprises:

- 1 mounting assembly plate
- 4 WJUM01-20 bearing blocks

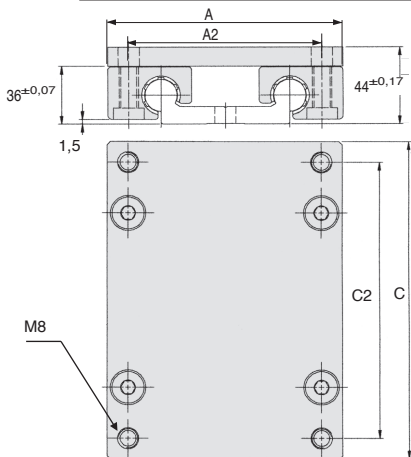
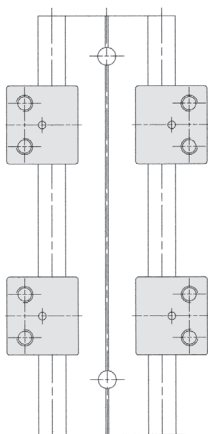
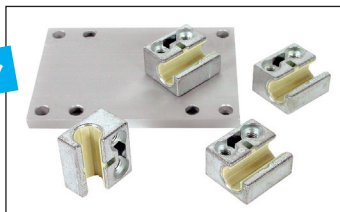
## Advantages

- Low profile design

## Accessories

- **WS20-80** rails

**Modular**



## DISCOUNTS

Qty	1+	5+	10+	15+	20+
Disc.	List	-10%	-15%	-20%	On request

Part number	A	C	A2	C2	Max. static load (20°C)					Weight (kg)	Stock*	Price each 1 to 4
					Coy (N)	Coz (N)	Mox (N)	Moy (Nm)	Moz (Nm)			
WW20-80-15	134	150	116	132	12800	12800	525	670	670	1,20	✓	124,34 €
WW20-80-20	134	200	116	182	12800	12800	525	990	990	1,30	-	133,54 €
WW20-80-25	134	250	116	232	12800	12800	525	1250	1250	1,50	-	142,04 €

\*Depending on availability - Dimensions in mm

## Our other products



GDR880

Straight track for slat top chain, Ranges 880 and 881



PRF\_GAL

Roller for aluminium profile, Hollow roller  $\varnothing 12$



PPS

Lifting ring, Universal threaded



SSDB

Stainless steel bevel gear, 2:1



UCFL\_SS

Stainless steel flanged bearing, Stainless steel



H02

Single needle roller universal joint, Heavy duty



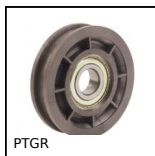
VTAP

Magnetic head screw, With rubber coating With rubber coating



CDGamme

Compression spring DIN2095, DIN 2095



PTGR

Tensioner pulley, For round belts



FUSS

Bearing locknut, Self locking locknut -



TB8

Cylindrical roller thrust bearing, Steel



CFS

Miniature cam follower, Miniature

## Complementary products



WJUM20

Drylin® W bearing block, Slide



WS20

Drylin® W rail, Rail