



DryLin® W slide assembly

Size 20

WW20

A **WW20** slide assembly comprises:

- 1 mounting assembly plate
- 4 WJUM01-20 bearing blocks

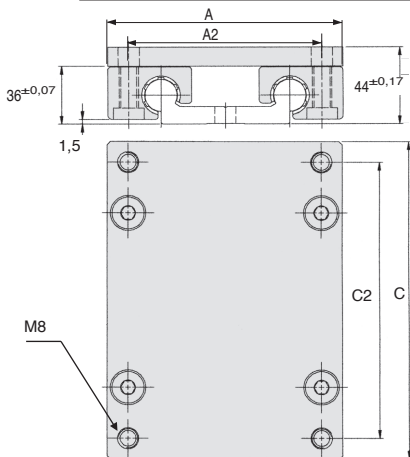
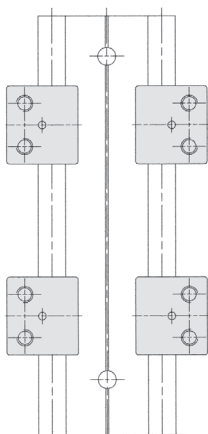
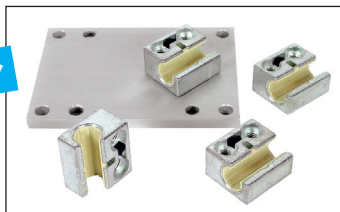
Advantages

- Low profile design

Accessories

- **WS20-80** rails

Modular



DISCOUNTS

Qty	1+	5+	10+	15+	20+
Disc.	List	-10%	-15%	-20%	On request

Part number	A	C	A2	C2	Max. static load (20°C)					Weight (kg)	Stock*	Price each 1 to 4
					Coy (N)	Coz (N)	Mox (N)	Moy (Nm)	Moz (Nm)			
WW20-80-15	134	150	116	132	12800	12800	525	670	670	1,20	✓	124,34 €
WW20-80-20	134	200	116	182	12800	12800	525	990	990	1,30	-	133,54 €
WW20-80-25	134	250	116	232	12800	12800	525	1250	1250	1,50	-	142,04 €

*Depending on availability - Dimensions in mm

Our other products



RBN

Wheel, Rubber tyre -
Polypropylene rim



GLP

Small 6 lobe threaded
handle - male,
Technopolymer -
Stainless steel



GBMz

Cylindrical ballscrew
nut, Cylindrical nut -
Multiple starts



PF20

Worm and wheel gear
reducer, up to 5 Nm



PCatherm

Pull handle,
Thermoplastic



VCMB

Dual-thread screw
wood/metal, Stainless
steel



CHAEpac

Square decorative
screwed hinges,
carbon fibre
reinforced



CFS

Miniature cam
follower, Miniature



BRI

Panel holder, Panel
holder



SBF

Sealed flange bearing
unit for Food Industry,



HTD5M_25

HTD Heavy duty
timing pulley, HTD5



SSHBRA

Stainless steel bevel
gear, 1,5:1 2:1 3:1

Complementary products



WJUM20

Drylin® W bearing
block, Slide



WS20

Drylin® W rail, Rail