

DryLin® W slide assembly



WW16

Size 16

A **WW16** slide assembly comprises:

- 1 mounting assembly plate
- 4 WJUM01-16 bearing block

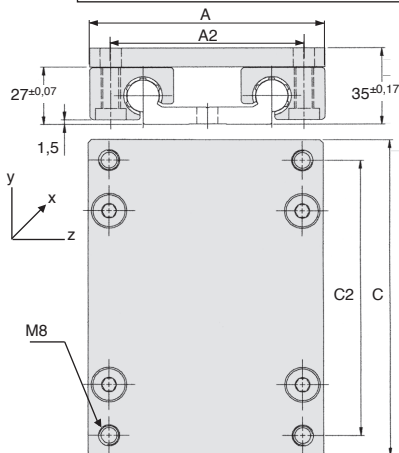
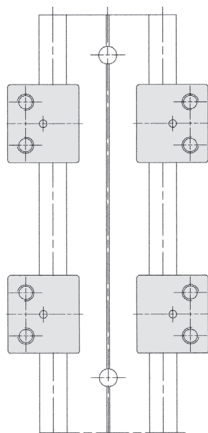
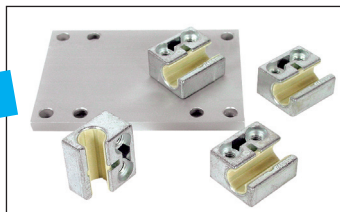
Advantage

- Low profile design

Accessories

- **WS10-40** and **WS10-80** rails

Modular



DISCOUNTS

Qty	1+	5+	10+	15+	20+
Disc.	List	-10%	-15%	-20%	On request

Part number	A	C	A2	C2	Max. static load (20°C)					Weight (kg)	Price each 1 to 4	
					Coy (N)	Coz (N)	Mox (N)	Moy (Nm)	Moz (Nm)			
WW16-60-10	104	100	86	82	8400	8400	240	270	270	0,71	-	119,58 €
WW16-60-15	104	150	86	132	8400	8400	240	480	480	0,84	-	130,89 €
WW16-60-20	104	200	86	182	8400	8400	240	690	690	0,97	-	144,26 €

*Depending on availability - Dimensions in mm

HPC

WEB
04/2020

www.hpceurope.com

Tél: 0 825 88 5000 Service 0,15 €/min + prix appel

Our other products



RFK58C

Hypoid gearbox -
Stainless steel, up to
500 Nm



VQTplqn

Quarter-turn clamp
lock - Clamping plate,
Flush mounting



INS_BR

Self tapping brass
insert, Brass



HS

Hexagonal spacer,
Stainless steel 303



ES

Support base (tripod),
Plastic



PF55

Worm and wheel gear
reducer, up to 57 Nm



FF40

Offset spur gear
reducer, from 59 to
210 Nm



DILC

Indexing plunger with
cam, with cam



RJA00_28

Sealing strip, Clipping



PR125

Articulated foot Ø123,
Ø 123



GP75

Spring loaded toggle
latch, Standard
(GP75)



SLS

Bearing block for
leadscrew, Floating
Drylin® bearing block

Complementary products



WJUM16

Drylin® W bearing
block, Slide



WS16

Drylin® W rail, Rail