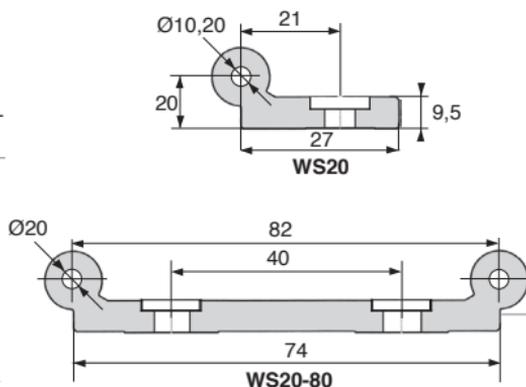
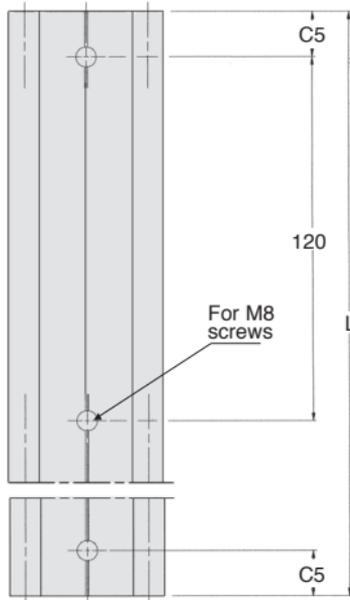




- Material: Hard anodised aluminium
- Standard length: 1000mm
- Other lengths available (up to 4000 mm)
- For bearing blocks **WJUM20** and **WJRM20**



### DISCOUNTS

Qty	1+	5+	10+	15+	20+
Disc.	List	-10%	-15%	-20%	On request

Part number	Length L (mm)	Max. length L (mm)	C5 mini	C5 maxi	Iy (mm <sup>4</sup> )	Iz (mm <sup>4</sup> )	Wby (mm <sup>3</sup> )	Wbz (mm <sup>3</sup> )	Weight (kg/m)	Stock*	Price each 1 to 4
WS20	1000	4000	20	79,5	9000	2850	1000	310	1,32	✓	110,61 €
WS20-80	1000	4000	20	79,5	108000	78700	21000	4000	3,30	✓	235,33 €

\*Depending on availability - Dimensions in mm

## Our other products



BABreceptacle

Ball pin socket, Socket



DOG258

Motor-gearbox 12V and 24V DC, from 12 to 15 Nm



PAMF100EB

Articulated foot with sheet metal base Ø100, Articulated foot



DOG316

Motor-gearbox 12V and 24V DC, from 1.5 to 2 Nm



DOMI120

Accessories, Turntable



PR40

Articulated foot Ø50, Ø 50



MRA

Quick link, Steel



STL

Guidance brush - Rail, Rail



PRF-P

Aluminium profile feet support, For feet or casters



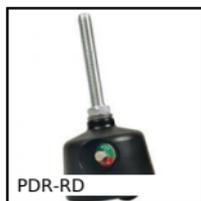
EHD04

Internal epicyclic servo reducers, from 3.4 to 7 Nm



CMM\_SS

Male rod ends DIN ISO12240-4, Stainless steel / bronze -



PDR-RD

Mounting feet with integrated castors, Offset castor

## Complementary products



WJUM20

Drylin® W bearing block, Slide



WW20

Drylin® W slide, slide assembly



WJRM

Drylin® W hybrid bearing block, Hybrid bearings