

DryLin® W bearing block



WJUM20 Size 20 - For loads of up to 3200N

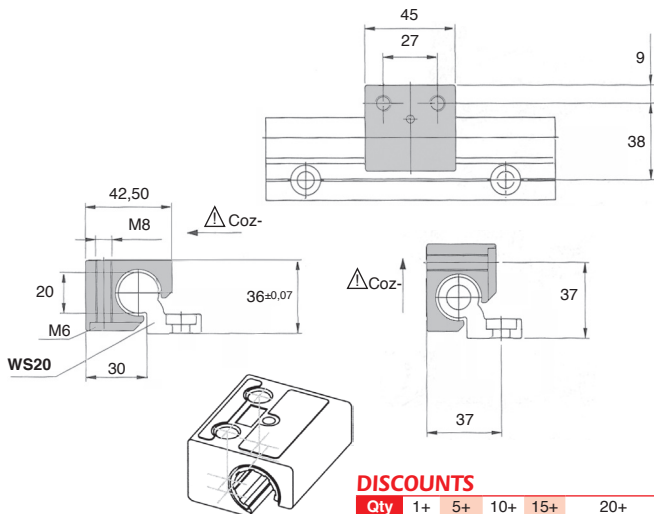
- Material:
Housing: Zamak
Liner: iglidur®J200

Advantage

- Full design flexibility using **WS20** single rails and **WJUM01-20** bearing blocks



Modular



DISCOUNTS

Qty	1+	5+	10+	15+	20+
Disc.	List	-10%	-15%	-20%	On request

Part number	Type	Backlash (mm)	Weight (g)	Coy (N)	Coz+ (N)	Coz- (N)	Stock*	Price each 1 to 4
WJUM01-20	Fixed	0	190	3200	3200	500	✓	17,64 €
WJUM01-20-LL	Floating	±0,25	190	3200	3200	500	✓	17,64 €

*Depending on availability - Dimensions in mm

HPC

WEB
04/2020

www.hpceurope.com

Tél: 0 825 88 5000 Service 0,15 €/min + prix appel

Our other products



PRF_ART

Articulated bracket for use with aluminium profile, With clamping ha...



LVT

Miniature motorised actuator 2A, 2 ampers



BPP

Pressed steel flanged bearing for light loads, Sheet steel



GSA_A

Adjustable gas spring, Steel



T10courroie

T type timing belt, T10 Steel cored polyurethane



TBD

Manual leadscrew table with opposing threads, 5kg



RPCpl

Fixed castor with plate, Steel - Polyamide



PSG125HC

Skive hobbed spur gears - precision range, Case hardened steel 20NCD2



SHA

Handwheel without handle, Polyamide



GLT3E-50

Telescopic drawer,



PRF_JL6

Lip seal for panel, Door seal - Ø 6mm



SH1

Parallel axis helical gear, Steel 20NCD2

Complementary products



WS20

Drylin® W rail, Rail



WW20

Drylin® W slide, slide assembly



WJRM

Drylin® W hybrid bearing block, Hybrid bearings