

DryLin® W bearing block



WJUM20 Size 20 - For loads of up to 3200N

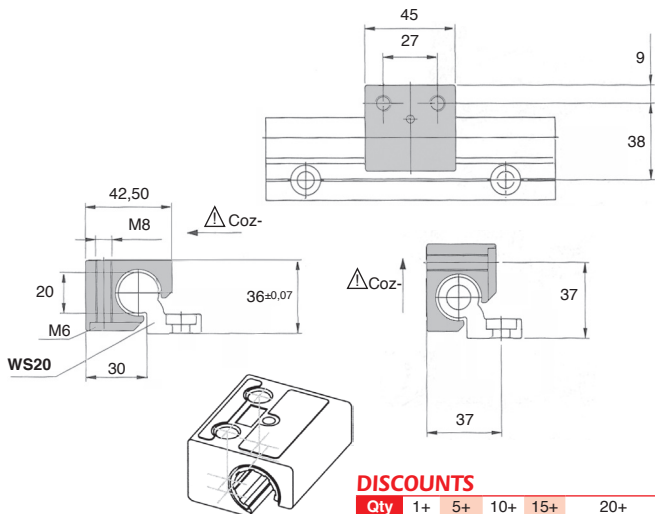
- Material:
Housing: Zamak
Liner: iglidur®J200

Advantage

- Full design flexibility using **WS20** single rails and **WJUM01-20** bearing blocks



Modular



DISCOUNTS

Qty	1+	5+	10+	15+	20+
Disc.	List	-10%	-15%	-20%	On request

Part number	Type	Backlash (mm)	Weight (g)	Coy (N)	Coz+ (N)	Coz- (N)	Stock*	Price each 1 to 4
WJUM01-20	Fixed	0	190	3200	3200	500	✓	17,64 €
WJUM01-20-LL	Floating	±0,25	190	3200	3200	500	✓	17,64 €

*Depending on availability - Dimensions in mm

Our other products



GPB55

Threaded spherical knob, Stainless steel 304



PTA50

Articulated levelling foot, pressed base Ø50, Ø 50



BOX-TOR-TOOL

Box set of tool for Nitrile O-rings, Extraction tools



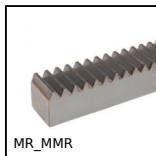
BDM

Pin for magnetic bush, Fast and light magnetic locking



RTE

Rotex®, jaw coupling, Aluminium



MR_MMR

Metric section rack, Steel



CHM75

Worm and wheel gear reducer, up to 298 Nm



AT5-BAR

AT type tooth bar stock, AT5



EKN

Bellows coupling Gerwah®, from 0.5 to 2000



GE

Toggle latches, Miniature



PHTss

Pull handle, Up to 250 °C



HW_HT

Half-rail guide, Wheel

Complementary products



WS20

Drylin® W rail, Rail



WW20

Drylin® W slide, slide assembly



WJRM

Drylin® W hybrid bearing block, Hybrid bearings