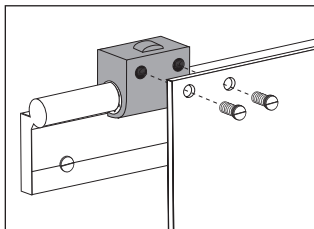


# Linear guide system **Drylin® W**

## WJRM

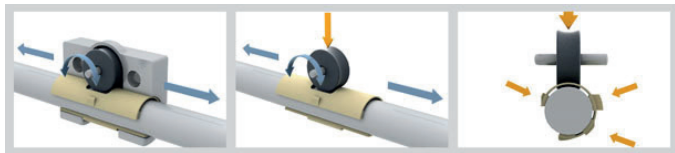
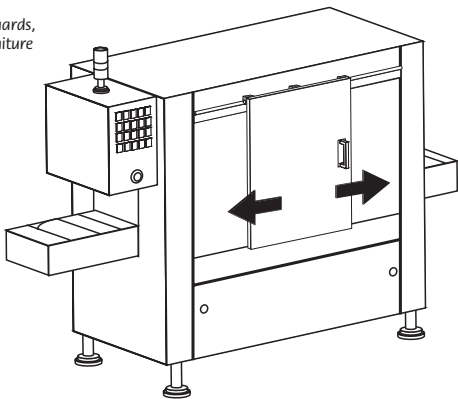
## Hybrid bearings

- Drylin W hybrid bearings offer a unique combination of sliding and rolling movement. Depending on the mounting arrangement used, the use of maintenance free rollers reduce the driving force required. Any shear forces or shock forces are absorbed by the bearing. This hybrid bearing is ideally suited for manual adjustments especially in the applications such as door adjustments.
- Low driving force required, coefficient of friction 0.04 to 0.05 $\mu$
- Highly cost effective solution
- Can be used with any of 7 profiles rails such as WS10, WS16 and WS20



### Applications

- Adjustable doors, machine guards, simple handling systems, furniture



# Linear guide system **Drylin® W**

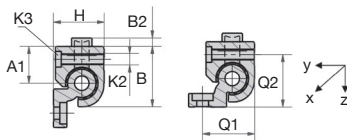
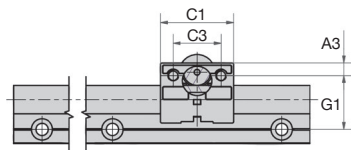
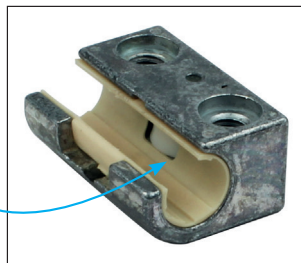
Sizes 10-16-20

**WJRM**

- **Material :**  
Zamack  
Liner manufactured from iglidur J

## Advantages

- No lubrication required
- Small size
- Lightweight



WJRM01-10  
WJRM01-16  
WJRM01-20

WJRM02-10  
WJRM01-16  
WJRM01-20

## DISCOUNTS

Qty	1+	5+	10+	15+	20+
Disc.	List	-10%	-15%	-20%	On request

Part number	Static load Co (N)	Dynamic load Cz capacity for a total travel distance of (km)			F <sub>xv</sub> Max (N.m/s)
		10 (N)	100 (N)	200 (N)	
WJRM01-10	250	250	90	50	50
WJRM02-10	250	250	90	50	50
WJRM01-16	400	400	140	70	80
WJRM01-20	550	550	200	100	80

Part number	Dimensions (mm)												Weight Price each	
	A1	A3	B	B2	C1	C3	G1	H	K2	K3	Q1	Q2	(g)	1 to 4
WJRM01-10	16,5	6,5	26	2,5	35	22	27	18	M6	M5	-	-	46	23,30 €
WJRM02-10	16,5	6,5	26	2,5	35	22	27	18	M6	M5	26	19	46	23,30 €
WJRM01-16	25	9	34,5	5	48	30	33	27	M8	M6	32	28	131	50,96 €
WJRM01-20	30	9	42,5	6	52	34	38	36	M8	M6	37	37	232	59,49 €

Dimensions in mm

## Our other products



NCT

Square tube connector, Fixed angle



UCF\_PBT

Stainless steel/Polymer flanged bearing, Polymer and stainless steel



EBM

Steel U bolt, Steel



BPLF

Ball transfer unit light duty, Light



DILC

Indexing plunger with cam, with cam



HG5-ECO

Eco range Spur gear, Steel C45



gt64r

Rotating bent lever with spring, Increased fitting tolerances



BAC105

Storage bin, 8mm



Q6

Deep groove ball bearing, Steel



YG1

HEAVY DUTY spur gear, Steel 35NCD6



AC144

Strike for toggle latch, 22mm



ZDB

Machined plastic bevel gear, 2:1

## Complementary products



WS10

Drylin® W rail, Rail



WS16

Drylin® W rail, Rail



WS20

Drylin® W rail, Rail