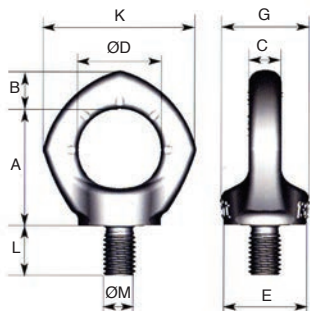


Male swivelling lifting rings **stainless steel**

VRSSs  **RUD**

Rotatable lifting ring

- Distinctive pentagonal shape clearly distinguishes it from DIN 580 lifting rings
- Material :
 - Ring is forged from 1.4462 steel
- Ring and screw are 100% tested for cracks
- Safety Coefficient 4
- Blind holes should be drilled sufficiently deep that the base of the ring touches the surface. Screw in the ring (without using any additional fittings), into the piece to be lifted so that the underside of the hexagonal screw is against the surface of the load.
- When assembling, verify that the base of the internal hexagonal screw is in contact with the surface of the load. In case of shocks or vibrations, especially when the load is carried by a screw not fully tightened, there is a severe risk of the ring becoming unscrewed.
- When fully tightened, the ring must be able to turn through 360°
- Before lifting, adjust the lifting ring to the direction of the applied force



Info

- Special captive hexagonal screw
- Conforms to European Directive 98/37/CE
- The nominal SWL engraved on the ring is valid for pulling in all directions



DISCOUNTS

Qty	1+	5+	10+	15+
Disc.	List	-3%	-6%	On request

Part number	SWL	ØM	A	B	C	ØD	E	G	K	L	SW	Weight (kg)	Price each 1 to 4
VRS-M12/SS	0,6t	M12	42	14	10	30	30	32	56	18	8	0,2	96,76 €
VRS-M16/SS	1,2t	M16	49	16	12	35	35	37	65	24	10	0,3	109,27 €
VRS-M20/SS	1,8t	M20	57	19	16	40	40	43	74	30	12	0,6	134,65 €
VRS-M24/SS	2,6t	M24	69	24	19	48	50	53	92	35	14	1,0	192,63 €

Dimensions in mm

Our other products



PSG125HC

Skive hobbed spur gears - precision range, Case hardened steel 20NCD2



PM2

Worm and wheel set, Non hardened steel



GAL22

Conveyor wheel, Zinc plated steel



G2

Steel spur gear, Steel 20NCD2



OP6

Mechanical digital position indicator, 5 numbers



BOX-NINA

Self locking nut - DIN985, Box set of steel nuts



CLSCLP_SS

Clevis components, short version, Stainless steel - short range



PLA

Flat magnet, Flat magnet with thread



CRDC

Professional storage box, Carrylite double



RPCplss

Swivel castor with double brake,



E50

Right angle helical reducers, from 3 to 41



RHTplss

High Temperature Castor, up to 200kg

Complementary products



VRM

Female swivelling lifting rings, Female swivelling



VRSF

Male swivelling lifting ring, Male swivelling



ADL_F

Female eye bolt conforms to DIN582, Stainless steel



ADL_M

Male eye bolt conforms to DIN580, Stainless steel