

Retaining catch, single sided

VRC1

Indexed 4 x 90°

Adjustable retaining catch

- To be used for door locking, drawers and as handling aid.

- Material :

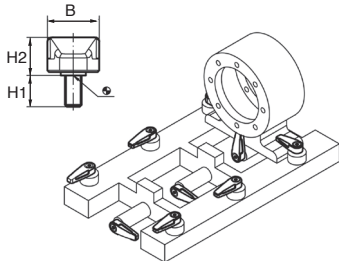
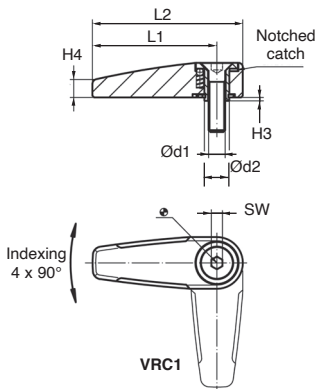
Body :

Die cast zinc, black similar to RAL 9005

Die cast zinc, silver similar to RAL 9006

Internal pieces : Sintered metal

Screw : A2 stainless steel (ISO 10642)



Typical application

IN STOCK*
Otherwise contact us

DISCOUNTS

Qty	1+	6+	20+
Disc.	List	-10%	On request

Part number	Colour	Ød1	Ød2	L1	L2	B	H1	H2	H3	H4	SW	Weight (g)	Price each 1 to 5
VRC1-M6/A	Silver	M6	9	45	55	19,0	12	13,3	0,8	6,5	4	59	20,13 €
VRC1-M8/A	Silver	M8	14	65	78	25,2	14	15,8	0,8	9,0	5	136	25,18 €
VRC1-M6/N	Black	M6	9	45	55	19,0	12	13,3	0,8	6,5	4	59	20,13 €
VRC1-M8/N	Black	M8	14	65	78	25,2	14	15,8	0,8	9,0	5	136	25,18 €

*Depending on availability - Dimensions in mm

Retaining catch, dual sided

Indexed 4 x 90°

VRC2

Adjustable retaining catch

- To be used for door locking, drawers and as handling aid.

- Material :

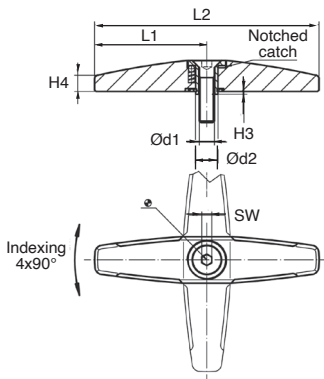
Body :

Die cast zinc, black similar to RAL 9005

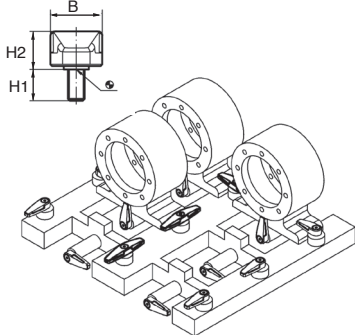
Die cast zinc, silver similar to RAL 9006

Internal pieces : Sintered metal

Screw : A2 stainless steel (ISO 10642)



VRC2



Typical application



DISCOUNTS

Qty	1+	6+	20+
Disc.	List	-10%	On request

Part number	Colour	Ød1	Ød2	L1	L2	B	H1	H2	H3	H4	SW	Weight (g)	Price each 1 to 5
VRC2-M6/A	Silver	M6	9	45	90	19,0	12	13,3	0,8	6,5	4	93	22,53 €
VRC2-M8/A	Silver	M8	14	65	130	25,2	14	15,8	0,8	9,0	5	220	29,13 €
VRC2-M6/N	Black	M6	9	45	90	19,0	12	13,3	0,8	6,5	4	93	22,53 €
VRC2-M8/N	Black	M8	14	65	130	25,2	14	15,8	0,8	9,0	5	220	29,13 €

*Depending on availability - Dimensions in mm

Our other products



RHT

High Temperature wheel, up to 200kg



SSG1

Stainless steel spur gear, Stainless steel 304L



BTE

Universal tension arm, For standard applications



M0

Worm and wheel set, Hardened steel



SHA_PTR

Handwheel with folding handle, Polyamide



TBEASE10

Economic mini-table with trapezoidal leadscrew, 1kg



PSG3S

Spur gear - precision range, Stainless steel 303



SHTP

Drylin® Linear table, Economy range



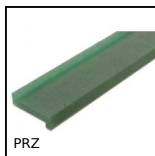
GB-RA

Brass spur gear, Brass CuZn39Pb3



BABFCFO

Ball pin socket, Mounting collar with a



PRZ

Wear strip for slat top chain, Z profile to be



PRF_JL2

Lip seal for panel, Door seal - Ø 2mm

Complementary products



VRC1

Retaining clamp, single sided, Single sided