

# Retaining catch, single sided

## VRC1

## Indexed 4 x 90°

### Adjustable retaining catch

- To be used for door locking, drawers and as handling aid.

- Material :

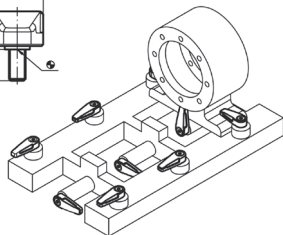
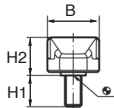
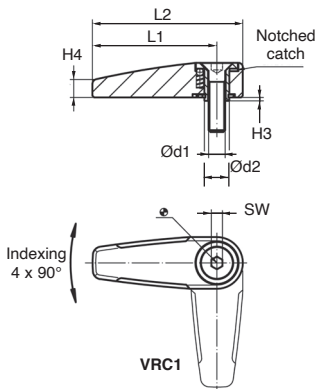
Body :

Die cast zinc, black similar to RAL 9005

Die cast zinc, silver similar to RAL 9006

Internal pieces : Sintered metal

Screw : A2 stainless steel (ISO 10642)



Typical application



### DISCOUNTS

Qty	1+	6+	20+
Disc.	List	-10%	On request

Part number	Colour	Ød1	Ød2	L1	L2	B	H1	H2	H3	H4	SW	Weight (g)	Price each 1 to 5
VRC1-M6/A	Silver	M6	9	45	55	19,0	12	13,3	0,8	6,5	4	59	20,13 €
VRC1-M8/A	Silver	M8	14	65	78	25,2	14	15,8	0,8	9,0	5	136	25,18 €
VRC1-M6/N	Black	M6	9	45	55	19,0	12	13,3	0,8	6,5	4	59	20,13 €
VRC1-M8/N	Black	M8	14	65	78	25,2	14	15,8	0,8	9,0	5	136	25,18 €

\*Depending on availability - Dimensions in mm

# Retaining catch, dual sided

Indexed 4 x 90°

VRC2

## Adjustable retaining catch

- To be used for door locking, drawers and as handling aid.

- Material :

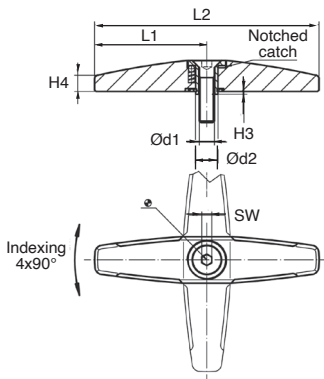
Body :

Die cast zinc, black similar to RAL 9005

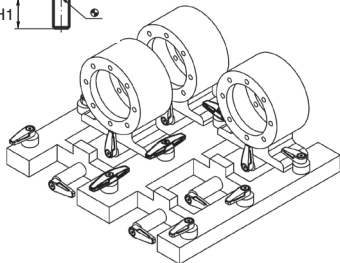
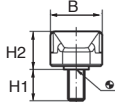
Die cast zinc, silver similar to RAL 9006

Internal pieces : Sintered metal

Screw : A2 stainless steel (ISO 10642)



VRC2



Typical application



## DISCOUNTS

Qty	1+	6+	20+
Disc.	List	-10%	On request

Part number	Colour	Ød1	Ød2	L1	L2	B	H1	H2	H3	H4	SW	Weight (g)	Price each 1 to 5
VRC2-M6/A	Silver	M6	9	45	90	19,0	12	13,3	0,8	6,5	4	93	22,53 €
VRC2-M8/A	Silver	M8	14	65	130	25,2	14	15,8	0,8	9,0	5	220	29,13 €
VRC2-M6/N	Black	M6	9	45	90	19,0	12	13,3	0,8	6,5	4	93	22,53 €
VRC2-M8/N	Black	M8	14	65	130	25,2	14	15,8	0,8	9,0	5	220	29,13 €

\*Depending on availability - Dimensions in mm

## Our other products



J65  
Spur gear coaxial gearbox, from 0.80 to 2.95 Nm - In-line



GALRUB  
60mm rubber wheel for conveyor belt, Rubber



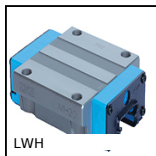
ACLEFS  
Floor anchor for aluminium profile, Adjustable



PGM86-M5  
Pull handle, Thermoplastic



ECF  
Well nut, Chloroprene elastomer



LWH  
High rigidity linear slide, Chariot - from 9320 N to 71300 N



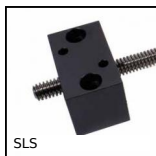
CHT  
Asynchronous AC Motor, 0.18 to 0.55kW



T5-16ECO  
T type timing pulley, Economy range - T5 aluminium



OPFL\_OPPM  
Numerical counter accessories, Operating knob



SLS  
Bearing block for leadscrew, Fixed Drylin® bearing block



CLG1  
Moulded plastic spur gear, Moulded plastic (nylon)



TCXR  
Automatic chain tensioner, With stainless steel sprocket

## Complementary products



VRC2  
Retaining clamp, dual sided, Dual sided