

Quarter-turn clamp lock

VQT

Plastic or stainless steel button

- **Quarter-turn lock with handle**
- Locking element
- Materials:
 - Nickel-plated steel body
 - Steel pins
 - Button in black glass fiber reinforced PA or stainless steel
- Working T°
 - Plastic button +130°C max.
 - Stainless steel button +200°C max.

Advantages

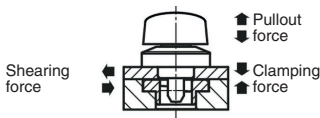
- Allows locking or unlocking without tools and without quarter-turn screws.
- Lock On/Off display.
- Saves time by avoiding the handling of tools.

Infos

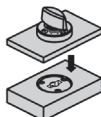
- The M2 or M3 fixing screws are supplied
- Mounting option A for 6mm to 12 mm plates.
- Mounting option B for 12 to 20mm plates.
- The specified forces apply only for use with the VQT PLQ sleeves.

Accessories

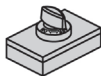
- Clamping plates VQT-PLQ



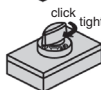
Use



Make sure the handle is in the "OFF" position.



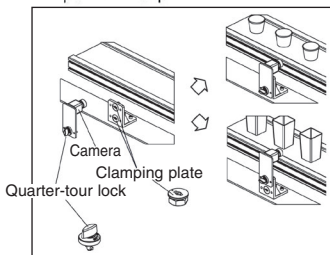
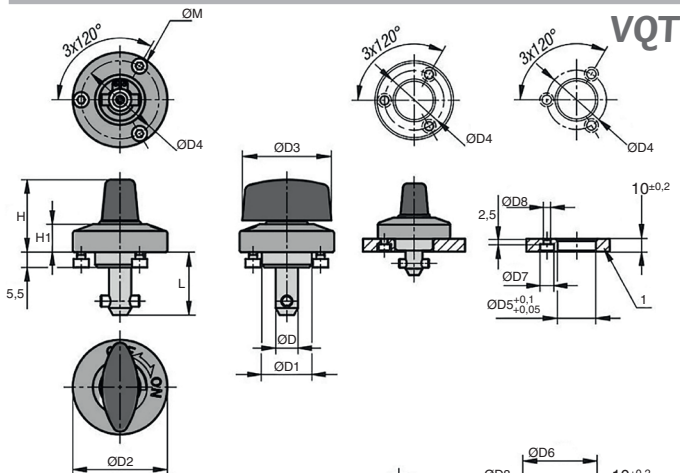
Press the pin of the quarter-turn lock into the clamping plate.



To lock the components, turn the handle to the "ON" position. A click indicates the opening/closing

Part number	Clamping force (N)	Resistance shearing (kN)	Pullout force (kN)	Dimensions (mm)		
				H	H1	ØM
Plastic button						
VQT5-15/PA	60	1,8	1,2	19,0	6,5	M2x3
VQT8-17/PA	90	3,2	2,6	26,0	10,0	M3x4
VQT8-23/PA	90	3,2	2,6	26,0	10,0	M3x4
Stainless steel button						
VQT5-15/SS	60	1,8	1,2	19,0	6,5	M2x3
VQT8-17/SS	90	3,2	2,6	25,5	10,0	M3x4
VQT8-23/SS	90	3,2	2,6	25,5	10,0	M3x4

*Depending on availability - Dimensions in mm



Example of use:
change the positions of the camera

DISCOUNTS

Qty	1+	4+	8+
Disc.	List	-5%	On request

Part number	ØD	L	ØD1	ØD2	ØD3	ØD4	ØD5	ØD6	ØD7	ØD8	T	T1	Price each
													1 to 3
Plastic button													
VQT5-15/PA	5	15,5	14	25	20	21	14	26	4,4	2,4	6	6-10	47,70 €
VQT8-17/PA	8	17,0	18	34	32	28	18	35	6,5	3,4	6	6-14	49,06 €
VQT8-23/PA	8	23,0	18	34	32	28	18	35	6,5	3,4	12	12-20	49,06 €
Stainless steel button													
VQT5-15/SS	5	15,5	14	25	20	21	14	26	4,4	2,4	6	6-10	59,96 €
VQT8-17/SS	8	17,0	18	34	32	28	18	35	6,5	3,4	6	6-14	62,69 €
VQT8-23/SS	8	23,0	18	34	32	28	18	35	6,5	3,4	12	12-20	62,69 €

*Depending on availability - Dimensions in mm

Quarter-turn clamp lock - Clamping plate

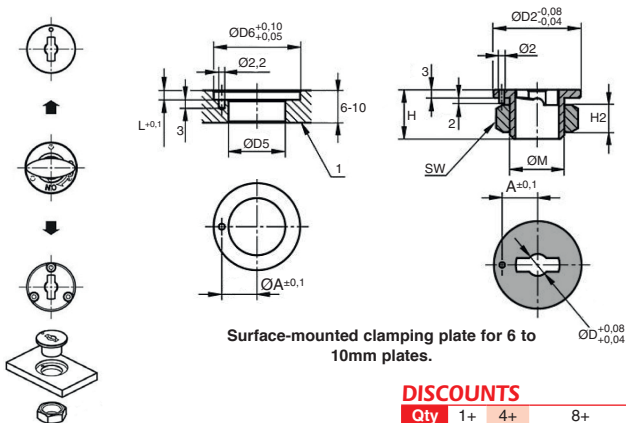
VQTPLQ/P

Wall mounting

- Clamping plate for VQT quarter-turn lock
- Mounting for plate thickness 6 to 10mm.
- Materials:
 - Nickel-plated steel body
 - Stainless steel nut

Accessories

- VQT quarter-tour lock



Surface-mounted clamping plate for 6 to 10mm plates.

DISCOUNTS

Qty	1+	4+	8+
Disc.	List	-5%	On request

Part number	ØD	ØD2	ØD4	A	M	H2	SW
VQT5-PLQ/P	5	25	21	10,5	M14X1,5	8	22
VQT8-PLQ/P	8	32	26	13,0	M20X1,5	10	30

Part number	H	H1	ØD5	ØD6	L	Price each
						1 to 3
VQT5-PLQ/P	16	4,5	15	25	3,5	47,70 €
VQT8-PLQ/P	18	5,5	21	32	3,5	49,06 €

*Depending on availability - Dimensions in mm

Quarter-turn clamp lock - Clamping plate

Flush mounting

VQTPLQ/N

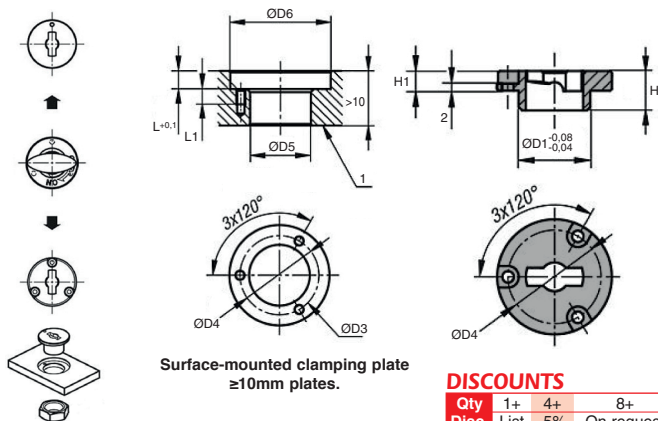
- Clamping plate for VQT quarter-turn lock
- Mounting for plate thickness over 10mm.
- Materials:
Nickel-plated steel body

Infos

- The M2 or M3 fixing screws are supplied

Accessories

- VQT quarter-tour lock



DISCOUNTS

Qty	1+	4+	8+
Disc.	List	-5%	On request

Part number	ØD	ØD1	ØD2	ØD4	H2	SW
VQT5-PLQ/N	5	14	25	21	8	22
VQT8-PLQ/N	8	20	32	26	10	30

Part number	ØD3 for screw							Price each 1 to 3
	H	H1	DIN912	ØD5	ØD6	L	L1	
VQT5-PLQ/N	9	4,5	M2	14	26	5	4	21,39 €
VQT8-PLQ/N	11	5,5	M3	20	33	6	5	22,73 €

*Depending on availability - Dimensions in mm

Our other products



SR
Narrow spur rack,
Stainless steel



DIA
Ring operated locking
bolt, with ring



DKGS
Backlash free
coupling Gerwah®,
from 0.5 to 3Nm



ALIDR30
12 and 24V DC power
supplies, 1,5 A and 2
A



PRF-SCREEN-4
Screen support,
Support with 4 axes of
rotation



PR40
Articulated foot Ø50,
Ø 50



SSG0
Stainless steel spur
gear, Stainless steel
304L



PTA100
Articulated levelling
foot, pressed base
Ø100, Ø 100



BTC20_10
End cap for
rectangular tube,
Standard



BMM
Knurled knob - male,
Knurled



PW_PWG15
Worm - precision
range, Steel



CHV
Mechanical speed
variator, from 0,18 to
1,5kW

Complementary products



VQTplqn
Quarter-turn clamp
lock - Clamping plate,
Flush mounting



VQT
Quarter-turn clamp
lock, Plastic or
stainless steel button