



3 spoked handwheel with folding handle

Polyamide

V3RAPTR

- **Manual operating element**
- Freely revolving handle for manual operation
- **Materials:**
Wheel: glass fibre reinforced polyamide
Hub: galvanised steel

Info.

- Revolving handle folds away for safety

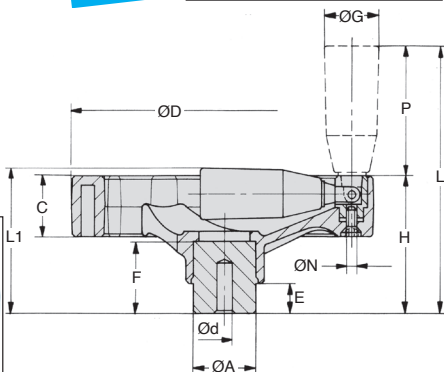
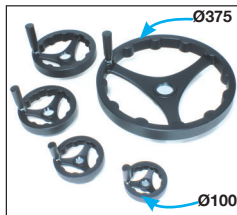
Options

- Different bore diameters
- Keyways
- See modification info

Application

- All types of machines

Bore modifications



DISCOUNTS

Qty	1+	6+	20+
Disc.	List	-5%	On request

Part number	Ød Pré-bore	ØD	H	C	ØA	E	F	L	L1	ØG	P	ØN	Stock*	Price each 1 to 5
V3RA-100-PTR	4	100	46	20	24	12	24	100	50	21	52	M4	✓	44,81 €
V3RA-125-PTR	6	125	51	24	24	12	28	105	54	21	52	M4	✓	49,50 €
V3RA-160-PTR	6	160	61	28	32	15	31	135	65	23	74	M5	✓	56,22 €
V3RA-200-PTR	6	200	74	32	40	15	40	168	79	26	94	M6	✓	67,27 €
V3RA-250-PTR	6	250	83	34	48	17	49	173	89	26	94	M6	-	81,01 €
V3RA-300-PTR	6	300	93	36	58	18	53	184	100	26	94	M6	New	114,70 €
V3RA-375-PTR	6	375	104	38	58	18	53	195	110	26	94	M6	New	145,13 €

*Subject to availability - Dimensions in mm

Our other products



SLB
Indexing plunger,
steel class 5.8



RHTtcss
High Temperature
Castor, up to 200kg



M0
Worm and wheel set,
Hardened steel



CHTRP
Single and dual
output gearboxes, Up
to 28,8 Nm



RJUM01
Closed polymer
Drylin® R bearing,
Drylin® R



LWL
Linear ball slide -
Stainless steel balls,
Rail - from 514 N to
1670...



RTE
Rotex®, jaw coupling,
steel



PSG35
Spur gear - precision
range, Stainless steel
303



PAMF100EB
Articulated foot with
sheet metal base
Ø100, Articulated foot



BOX-TOR-DRING
Box set of Nitrile D-
rings NBR90Sh A,
Flange seals



SRG
Adjustable latch
clamp with strike
plate, Stroke from



PDD
Actuating plunger,
Non-rotating detector
shaft

Complementary products



V3RA_PT
3-spoked handwheel
with handle,
Polyamide



PGR
Folding revolving
handle for handwheel,
Folding



SHA_PTR
Handwheel with
folding handle,
Polyamide



MHPGR
Arm with folding
rotating handle,