

3 spoked handwheel with revolving handle

V3RAPT

Polyamide

- **Manual operating element**
- Freely revolving handle for manual operation
- **Materials:**
Wheel: glass fibre reinforced polyamide
Hub: galvanised steel

Options

- Different bore diameters
- Keyways
- See modification info on page 64

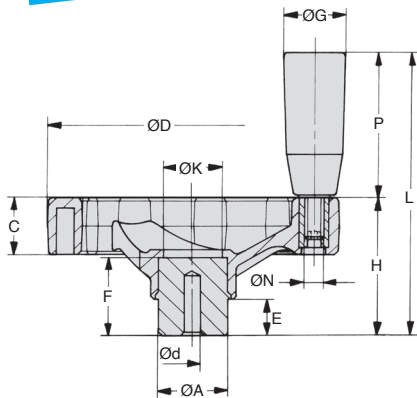
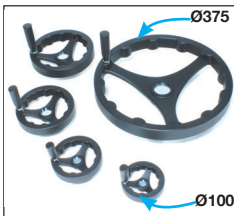
Application

- All types of machines



**New Ø300
Ø375**

Bore modifications



DISCOUNTS

Qty	1+	6+	20+
Disc.	List	-5%	On request

Part number	Ød Pré-bore	ØD	H	C	ØA	E	F	ØK	L	ØG	P	ØN	Stock*	Price each 1 to 5
V3RA-100-PT	4	100	46	20	24	12	24	18	96	21	50	M6	✓	18,94 €
V3RA-125-PT	6	125	51	24	24	12	28	20	101	21	50	M6	✓	21,92 €
V3RA-160-PT	6	160	61	28	32	15	31	30	131	23	70	M8	✓	28,24 €
V3RA-200-PT	6	200	74	32	40	15	40	35	164	26	90	M10	✓	39,20 €
V3RA-250-PT	6	250	83	34	48	17	49	35	173	26	90	M10	-	55,68 €
V3RA-300-PT	6	300	93	36	58	18	53	48	183	26	90	M10	New	88,48 €
V3RA-375-PT	6	375	104	38	58	18	53	48	194	26	90	M10	New	130,25 €

*Subject to availability - Dimensions in mm

Our other products



GTCSS

Belt tensioner, For use in hostile environments



VMS

Stainless steel knurled thumb screw, Knurled



PRF_ER

Joining bar for aluminium profile, Joint bar



KKSS

Rounded end feather key, Stainless steel



PM4

Worm and wheel set, Bronze



BLHM60

Right angled gearbox, double output shafts, up to 70 Nm



BUH77

Motor-gearbox 12V and 24V DC, from 0.1 to 2 Nm



SHTP

Drynlin® Linear table, Economy range



ZG3

Plastic spur gear, Machined plastic (delrin)



PF70

Worm and wheel gear reducer, up to 164 Nm



PTGP

Tensioner pulley, For flat belts



AT5courroie

AT type timing belt, AT5 Steel cored polyurethane

Complementary products



HLUss

Spoked handwheel, Stainless steel 316



MHQMEP

Arm with rotating handle, Square bore



SHA_PTR

Handwheel with folding handle, Polyamide



VPRA_M

Handwheel with handle, Thermosetting plastic - galvanised steel hub