



# 3 spoked handwheel without handle

Polyamide

V3RA

- Manual operating element
- Materials:  
Wheel: glass fibre reinforced polyamide  
Hub: galvanised steel

## Options

- Different bore diameters
- Keyways
- See modification info on page 64

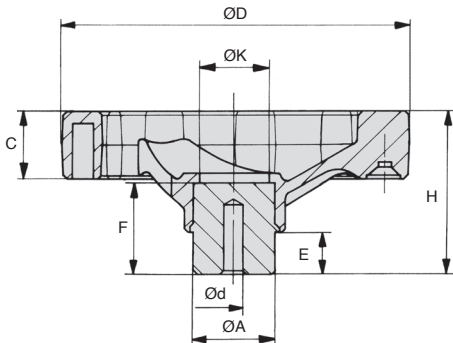
## Application

- All types of machines



New Ø300  
Ø375

## Bore modifications



## DISCOUNTS

Qty	1+	6+	20+
Disc.	List	-5%	On request

Part number	Ød Pré-bore	ØD	H	C	ØA	E	F	ØK	Stock*	Price each 1 to 5
V3RA-100	4	100	46	20	24	12	24	18	✓	11,42 €
V3RA-125	6	125	51	24	24	12	28	20	✓	14,40 €
V3RA-160	6	160	61	28	32	15	31	30	✓	20,35 €
V3RA-200	6	200	74	32	40	15	40	35	✓	30,68 €
V3RA-250	6	250	83	34	48	17	49	35	-	46,83 €
V3RA-300	6	300	93	36	58	18	53	48	New-	76,20 €
V3RA-375	6	375	104	38	58	18	53	48	New-	113,05 €

\*Subject to availability - Dimensions in mm

## Our other products



CHMR75  
Worm and wheel gear reducer, up to 298 Nm



M0  
Worm and wheel set, Hardened steel



PAT123  
Pressed stainless steel articulating foot  
Ø123, Ø 123



TK  
Topball self-aligning linear bearing, Topball self-aligning



SSDB  
Stainless steel bevel gear, 2:1



RT61  
Self-centering locking Assembly, Medium/low torque



HS  
Hexagonal spacer, Stainless steel 303



CAP882  
Flexible slat top chain acetal, Large range 882



UFX  
Spare tyre UNEFLEX® coupling, range



ACLBTS  
Closing system for aluminium profile, Spacer for spherical

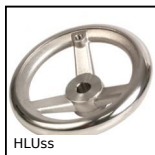


GG2  
Ground spur gear, Heat treated steel



MHX  
Hexagonal threaded sleeve, Hexagonal - steel

## Complementary products



HLUss  
Spoked handwheel, Stainless steel 316