

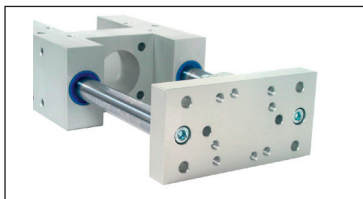


# H Type guide unit

For  $\varnothing 32$  actuators  
ISO (VDMA 24562)

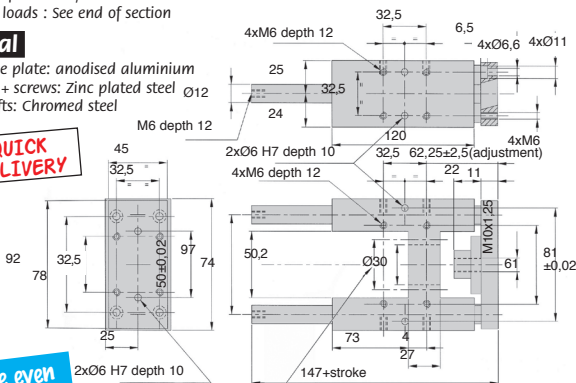
UGH32

- Guide system for standard pneumatic actuators
- Fitted with 4 smooth bronze bearings
- Slides protected by wiper joints
- Actuator coupling supplied
- Fixing holes conform to CNOMO standards
- Supplied with 4 fixing screws for actuator
- Maintenance free
- Working temperature: +5°C to +80°C
- Maximum speed: 1 m/s
- Maximum loads : See end of section



## Material

- Body + face plate: anodised aluminium
- Couplings + screws: Zinc plated steel  $\varnothing 12$
- Guide shafts: Chromed steel



Accurate even for long strokes

Attach cylinder using 4 off M6 screws on  $\varnothing 32,5$

## DISCOUNTS

Qty	1+	2+
Disc.	List	On request

Part number	Stroke (mm)	Actuator $\varnothing$ (mm)	Guide rod $\varnothing$ (mm)	Weight (kg)	Price each
UGH32-25	25	32	12	1,34	204,11 €
UGH32-50	50	32	12	1,38	205,16 €
UGH32-100	100	32	12	1,47	207,20 €
UGH32-160	160	32	12	1,57	209,70 €
UGH32-200	200	32	12	1,64	211,35 €
UGH32-250	250	32	12	1,72	213,37 €
UGH32-320	320	32	12	1,84	216,29 €
UGH32-400	400	32	12	1,98	219,61 €
UGH32-500	500	32	12	2,15	223,74 €
UGH32-600	600	32	12	2,32	227,84 €

Dimensions in mm

## Our other products



G1

Steel spur gear, Steel  
20NCD2



PRF-CHAR-POU

Tool holder for  
aluminium profile,  
Moveable tool holder



E40

Right angle helical  
reducers, from 2.30 to  
20 Nm



CTss

Universal joint,  
telescopic, Inox, Light  
duty



TCLar

Automatic chain  
tensioner, With wide  
guide



BPTR

End cap for round  
tube, Standard



MCL

Cylindrical threaded  
sleeve, Cylindrical -  
steel



FF40

Offset spur gear  
reducer, from 59 to  
210 Nm



BABFCFO

Ball pin socket,  
Mounting collar with a  
oval flange



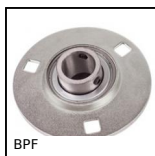
VQT

Quarter-turn clamp  
lock, Plastic or  
stainless steel button



PDM\_PDv

Detectable plastic  
palm grip, by metal  
detectors



BPF

Sheet steel flanged  
bearing for light  
loads, Sheet steel

**Complementary products**