

UCFss

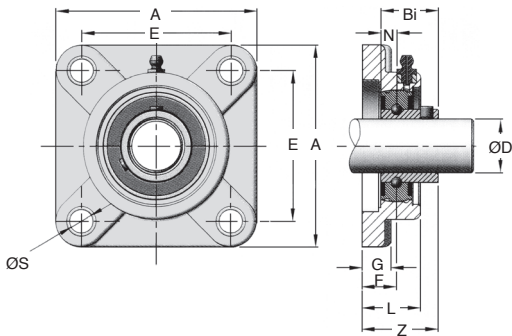
4 mounting points

- Self aligning bearing with 4 mounting points
- Interchangeable with cast iron units
- Working temperature range: until +140°C
- Material:

Bearing: stainless steel

Housing: stainless steel

For hostile environments



DISCOUNTS

Qty	1+	10+	26+
Disc.	List	-10%	On request

Part number	ØD	A	E	G	L	ØS	Z	F	Bi	N	Weight (kg)	Stock*	Prix Uni.
													1 à 9
UCF204/SS	20	86	64	11	25	12	33,3	15	31,0	12,7	0,60	✓	50,71 €
UCF205/SS	25	95	70	13	27	12	35,8	16	34,1	14,3	0,86	✓	48,47 €
UCF206/SS	30	108	83	13	31	12	40,1	18	38,1	15,9	1,10	✓	78,00 €
UCF207/SS	35	117	92	15	34	14	44,4	19	42,9	17,5	1,60	-	96,61 €
UCF208/SS	40	130	102	15	36	16	51,2	21	49,2	19,0	1,90	✓	111,95 €

*Depending on availability - Dimensions in mm

Our other products



BPH

Ball transfer unit plain fit, High



SSG0

Stainless steel spur gear, Stainless steel 304L



GSI

Stainless steel gas spring, Stainless steel



RJUM01

Closed polymer Drylin® R bearing, Drylin® R



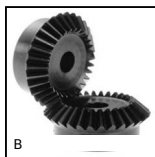
BPHRF

Ball transfer unit housed spring loaded, High



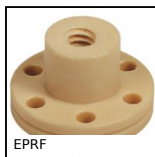
MDB_MTB

Moulded plastic bevel gear (nylon), 2:1



B

Steel bevel gear, 1:1



EPRF

High helix leadscrew, Flanged nut - up to 40mm per rotation



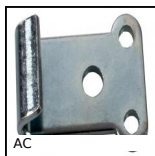
SKM

Hexagonal steel nut, Steel - 1 thread



Q6

Deep groove ball bearing, Steel



AC

Strike for toggle latch, 15mm



EPRC

High helix leadscrew, Cylindrical nut - up to 40mm per rotation

Complementary products



UCP_SS

Stainless steel pillow block bearing, Stainless steel



UCFL_SS

Stainless steel flanged bearing, Stainless steel



BPFss

Pressed stainless steel flange bearing, Stainless steel