



# Stainless steel flanged bearing

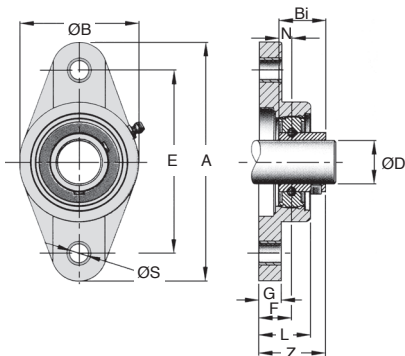
2 mounting points

UCFLss

- Self aligning bearing with 2 mounting points
- Interchangeable with cast iron bearings
- Working temperature range: until +140°C
- Material:

Bearing: stainless steel  
Housing: stainless steel

For hostile environments



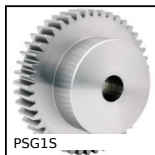
## DISCOUNTS

Qty	1+	10+	26+
Disc.	List	-10%	On request

Part number	ØD	A	E	G	L	ØS	Z	F	ØB	Bi	N	Weight		Price each
												(kg)	Stock*	
UCFL204/SS	20	113	90	10	25,5	12	33,3	15	60	31,0	12,7	0,48	✓	36,72 €
UCFL205/SS	25	130	99	10	27,0	16	35,8	16	68	34,1	14,3	0,63	✓	44,88 €
UCFL206/SS	30	148	117	10	31,0	16	40,2	18	80	38,1	15,9	0,89	✓	64,30 €
UCFL207/SS	35	161	130	11	34,0	16	44,4	19	90	42,9	17,5	1,21	-	86,33 €
UCFL208/SS	40	175	144	11	36,0	16	51,2	21	100	49,2	19,0	1,60	-	109,87 €

\*Depending on availability - Dimensions in mm

## Our other products



PSG1S

Spur gear - precision range, Stainless steel 303



ZG0

Plastic spur gear, Machined plastic (delrin)



PCLA\_M

Technopolymer clamping lever - female, Plastic



SSB

Stainless steel bevel gear, 1:1



NJM

Multiple junction clamp, Multiple



Q7

Angular contact ball bearing, Steel



HW\_HT

Half-rail guide, Wheel



VHEH

Hexagonal headed screw with collar Hygienic Usit®, Stainless steel



PCS\_PA6

Plastic sprocket, 9.525mm (DIN 06B-1)



PRF\_BR

Clamp for aluminium profile, Clamp for profile



MAX26

Motor-gearbox 12V and 24V DC, from 0,075 to 0,6Nm



LRX

Linear roller slide, Rail - from 9410 N to 101000 N

## Complementary products



UCP\_SS

Stainless steel pillow block bearing, Stainless steel



UCF\_SS

Stainless steel flanged bearing, Stainless steel



SBF

Sealed flange bearing unit for Food Industry, cover



SBF

Sealed flange bearing unit for Food Industry, cover