

Stainless steel/Polymer flanged bearing

UCFLPBT

2 mounting points

- Self aligning bearing with 2 mounting points
- Interchangeable with cast iron units
- Grease applicator supplied
- Working temperature: -35°C to +102°C
- Materials:
 - Bearing: Stainless steel AISI 440C
 - Housing: PBT polymer
 - Grease: suitable for food industry



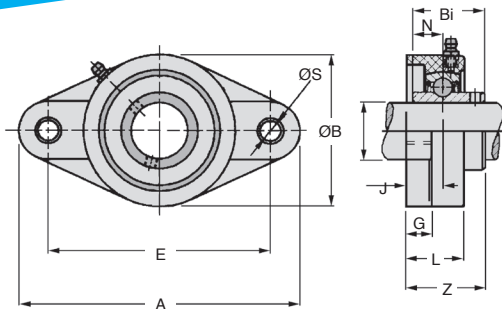
Colour

- UCFL/PBT/G: green
- UCFL/PBT/W: white

Accessory

- Protective cover

For the food industry



DISCOUNTS

Qty	1+	10+	26+	51+
Disc.	List	-10%	-20%	On request

Part number	ØD	A	E	ØB	G	L	ØS	Z	J	Bi	N	Stock*	Price each 1 to 9
UCFL201/PBT/G	12	113	90	65,0	11,4	26,5	11	33,7	15,4	31,0	12,7	✓	90,67 €
UCFL202/PBT/G	15	113	90	65,0	11,4	26,5	11	33,7	15,4	31,0	12,7	✓	86,30 €
UCFL203/PBT/G	17	113	90	65,0	11,4	26,5	11	33,7	15,4	31,0	12,7	-	82,15 €
UCFL204/PBT/W	20	113	90	64,0	11,4	26,5	11	33,7	15,4	31,0	12,7	✓	22,53 €
UCFL205/PBT/W	25	130	99	69,0	13,5	29,1	11	36,7	17,0	34,0	14,3	✓	26,17 €
UCFL206/PBT/W	30	148	117	80,0	13,3	30,5	11	41,2	19,0	38,1	15,9	-	34,91 €
UCFL207/PBT/W	35	164	130	90,0	16,1	32,8	13	43,4	18,0	42,9	17,5	-	49,62 €
UCFL208/PBT/W	40	176	144	100,0	20,0	37,5	14	51,7	21,5	49,2	19,0	-	58,94 €

*Depending on availability - Dimensions in mm

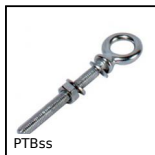
Our other products



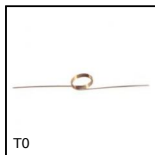
CHAR
Spring hinge, screwed



SSB
Stainless steel bevel gear, 1:1



PTBss
Threaded eye hook stainless steel, Stainless steel



T0
Torsion spring, Stainless steel



PSG15S
Spur gear - precision range, Stainless steel 303



CHCSS
Socket headed screw, Stainless steel - A2



CHTRB
Single and dual output gearboxes, Up to 87,3 Nm



BLH50
Right angled gearbox, from 7.70 to 20 Nm



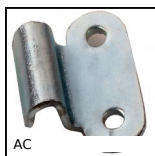
BABam
Self-locking ball pin lifting ring for



CLLCLLP
Clevis components, long version, Steel -



RCX-6
Spherical tilt washer - DIN6319, convex

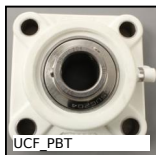


AC
Strike for toggle latch, 15mm

Complementary products



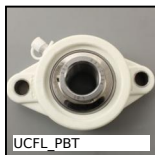
UCP_PBT
Stainless/Polymer pillow block bearing, Polymer and stainless steel



UCF_PBT
Stainless steel/Polymer flanged bearing, Polymer and stainless steel



BPFLss
Pressed stainless steel flange bearing, Stainless steel



UCFL_PBT
Stainless steel/Polymer flanged bearing, Polymer and stainless steel