

Stainless steel flanged bearing



UCFss

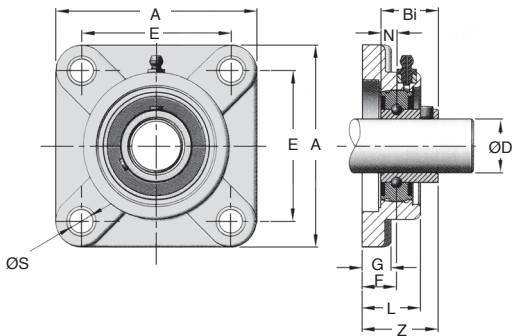
4 mounting points

- Self aligning bearing with 4 mounting points
- Interchangeable with cast iron units
- Working temperature range: until +140°C
- Material:

Bearing: stainless steel

Housing: stainless steel

For hostile environments



DISCOUNTS

Qty	1+	10+	26+
Disc.	List	-10%	On request

Part number	ØD	A	E	G	L	ØS	Z	F	Bi	N	Weight (kg)	Stock*	Prix Uni.
													1 à 9
UCF204/SS	20	86	64	11	25	12	33,3	15	31,0	12,7	0,60	✓	50,71 €
UCF205/SS	25	95	70	13	27	12	35,8	16	34,1	14,3	0,86	✓	48,47 €
UCF206/SS	30	108	83	13	31	12	40,1	18	38,1	15,9	1,10	✓	78,00 €
UCF207/SS	35	117	92	15	34	14	44,4	19	42,9	17,5	1,60	-	96,61 €
UCF208/SS	40	130	102	15	36	16	51,2	21	49,2	19,0	1,90	✓	111,95 €

*Depending on availability - Dimensions in mm

HPC

WEB
04/2020

www.hpceurope.com

Tél: 0 825 88 5000 Service 0,15 €/min + prix appel

Our other products



PSG1

Spur gear - precision range, Pre-hardened Steel 35NCD6



CLQ

12.7mm wide steel feeler strip on rolls, Feeler strip on rolls



BLH70

Right angled gearbox, from 26 to 128 Nm



DBC

Panamech, Multi-Beam, Aluminium - with clamping jaw



G0

Steel spur gear, Steel 20NCD2



BAN

Angular clamp, Adjustable



ADL_M

Male eye bolt conforms to DIN580, Stainless steel



CHAEpac

Square decorative screwed hinges, carbon fibre reinforced



T10-BAR

T type tooth bar stock, T10



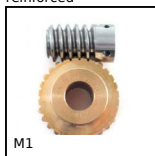
STL

Guidance brush - Rail, Rail



PF40

Worm and wheel gear reducer, up to 18 Nm



M1

Worm and wheel set, Bronze

Complementary products



UCP_SS

Stainless steel pillow block bearing, Stainless steel



UCFL_SS

Stainless steel flanged bearing, Stainless steel



SBF

Sealed flange bearing unit for Food Industry, cover



SBF

Sealed flange bearing unit for Food Industry, cover