

# Swivel castor for aluminium profile

For loads up to 120kg

TPEPDB

- Swivel castor with brake for use with aluminium profile 40/45mm such as PRF4545
- Material:
  - Plate: powder-coated steel sheet, natural aluminium colour
  - Wheel: grey polypropylene (RAL 7001)

## Advantages

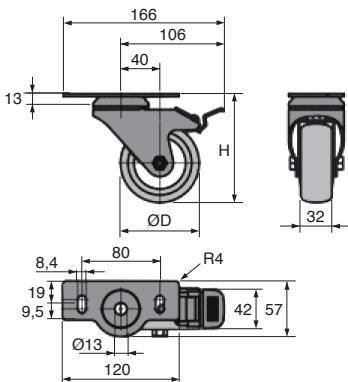
- Silent
- Will not mark floor
- Low rolling resistance

## Info

- Fixing screws not supplied (See PRF-ECL-M8 and BHC8/CHC8 screws)



Typical application



## REMISES

Qté	1+	10+	30+
Rem. Prix		-5%	Sur demande

Part number	ØD	H	Maximum load (N)	Weight (g)	Price each 1 to 9
TPE80/PDB	80	111	1000	710	33,46 €
TPE100/PDB	100	136	1100	787	36,53 €
TPE125/PDB	125	161	1200	873	38,71 €

Dimensions in mm

## Our other products



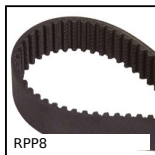
DOMI120

Domino 120 adjustable slide, Slide DOMILINE 120



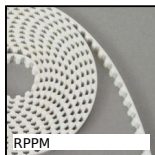
CHAGC-AL

Screw-in garnet hinge, Screw-on



RPP8

RPP heavy duty timing belt, RPP8



RPPM

RPP type belt per metre, RPP5 Steel cored polyurethane



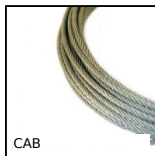
M0

Worm and wheel set, Bronze



V3RA

3-spoked handwheel without handle, Polyamide



CAB

Stainless steel cable, Stainless steel



GPBSS

Threaded spherical knob, Aluminium



CHAPAM

Weld-on hinge with flat end, Steel



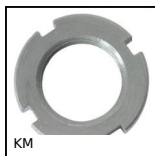
PRF-SMA

Closing system for aluminium profile,



SSG1\_304L

Stainless steel spur gear, Stainless steel



KM

Bearing locknut, Locknut KM

## Complementary products



TPEF

Castor for aluminium profile, Fixed



PRF4545

Standard aluminium profile, 45 x 45 mm



PRF\_ECL

Nut for aluminium profile, Steel square nut with tab



CHC

Socket headed screw, Steel class 12.19