

# Swivel castor for aluminium profile

For loads up to 120kg

TPEPDB

- Swivel castor with brake for use with aluminium profile 40/45mm such as PRF4545
- Material:
  - Plate: powder-coated steel sheet, natural aluminium colour
  - Wheel: grey polypropylene (RAL 7001)

## Advantages

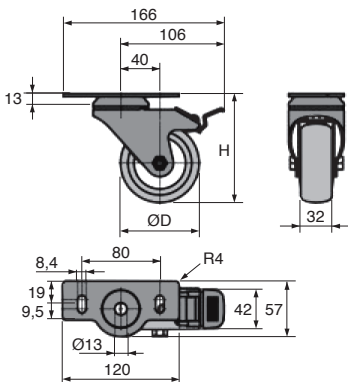
- Silent
- Will not mark floor
- Low rolling resistance

## Info

- Fixing screws not supplied (See PRF-ECL-M8 and BHC8/CHC8 screws)



Typical application



## REMISES

Qté	1+	10+	30+
Rem. Prix		-5%	Sur demande

Part number	ØD	H	Maximum load (N)	Weight (g)	Price each 1 to 9
TPE80/PDB	80	111	1000	710	33,46 €
TPE100/PDB	100	136	1100	787	36,53 €
TPE125/PDB	125	161	1200	873	38,71 €

Dimensions in mm

## Our other products



PAMF120

Articulated fixable foot, pressed bolt-down base Ø 120, Ø 120



RFK28C

Hypoid gearbox - Stainless steel, up to 130 Nm



RFVbr

Stainless steel reaction arm, Reaction arm



GAL22

Conveyor wheel, Zinc plated steel



SA\_SAKH

Housing for linear bearing, Closed - light load



EML

Stainless steel hexagonal headed thumb nut, Lobed handscrew



ACM\_AZ

Mounting bracket for bonnet fastener, Hook



MDB\_MTB

Moulded plastic bevel gear (nylon), 2:1



DKGS

Backlash free coupling Gerwah®,



CABtool

Fitting cable tools, Cutting tools



AKN

Bellows coupling Gerwah®, from 22 to



MFB\_MHB

Moulded plastic bevel gear (nylon), 4:1

## Complementary products



TPEF

Castor for aluminium profile, Fixed



PRF4545

Standard aluminium profile, 45 x 45 mm



PRF\_ECL

Nut for aluminium profile, Steel square nut with tab



CHC

Socket headed screw, Steel class 12.19