

# Short swivel head



## TOC

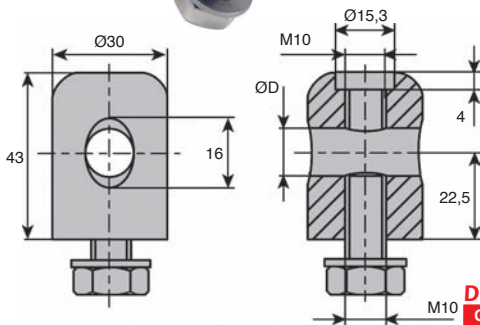
## Brass or stainless steel

- For guiding profile

- Materials:

Body: nickel brass or stainless steel

Nut/washer: stainless steel



### DISCOUNTS

Qty	1+	10+	20+
Disc.	List	-5%	On request

Part number	ØD	For Axis	Weight (kg)	Stock*	Price each 1 to 9
<b>Nickel brass version</b>					
TOC-12	12,5	APB12	0,18	✓	9,79 €
TOC-14	14,5	APB14	0,18	-	9,79 €
TOC-16	16,5	APB16	0,18	-	9,79 €
<b>Stainless steel version</b>					
TOC-12/SS	12,5	APB12	0,18	✓	16,06 €
TOC-14/SS	14,5	APB14	0,17	✓	15,79 €
TOC-16/SS	16,5	APB16	0,17	✓	15,79 €

\*Depending on availability - Dimensions in mm

## Our other products



AT5M AT10M  
AT type timing belt  
per metre, AT10 Steel  
cored polyurethane



GECC  
Rubber latch clamp  
with strike plate,  
Lockable



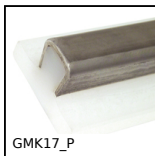
PCM  
Fixed cylindrical  
handle, Fixed non-  
turning handle



RAGFLOW  
Floway2® roller track,  
Roller track



HRV  
V-rail guidance  
Simple Select®  
system, Rail with  
carriage



GMK17\_P  
Flat Guide, Flat guide  
for conical profile



CLSCLP  
Clevis components,  
short version, Steel -  
short range



HRV  
V-rail guidance  
Simple Select®  
system, Rail with  
carriage



PPR55  
Pad eye on mounting  
plate round, Stainless



PCS8ECO  
Chain sprocket - steel,  
8mm (DIN 05B-1)



DOG319  
Motor-gearbox 12V  
and 24V DC, from 4 to



WS16  
Drylin® W rail, Rail

## Complementary products



RAG-12-M8  
Roller guide  
accessory, Anchoring  
system



RAG  
Roller guide,