

Rigid **manual** tensioner

Stock

TMR

Ideal for belts

- Suitable for mounting and positioning GTC belt rollers and PTR sprockets

- Material:

Plated XC38 steel

304L stainless steel

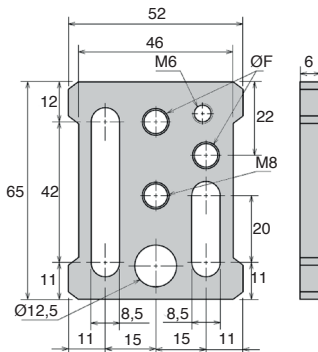
steel or
stainless steel



Typical application using
GTC belt roller



Typical application using
PTR sprocket



DISCOUNTS

Qty	1+	4+	10+
Disc.	List	-10%	On request

Part number	Material	ØF	Stock*	Price each 1 to 3
TMR-8	Steel	M8	✓	25,23 €
TMR-10	Steel	M10	✓	25,23 €
TMR-8/SS	Stainless steel	M8	-	32,49 €
TMR-10/SS	Stainless steel	M10	-	32,49 €

*Depending on availability - Dimensions in mm

HPC

WEB
04/2020

www.hpceurope.com

Tél: 0 825 88 5000 Service 0,15 €/min + prix appel

Our other products



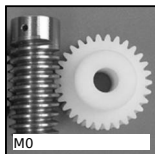
FUSS
Bearing locknut, Self locking locknut - stainless steel lock washer



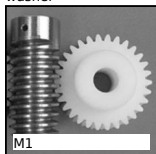
NKIA
Combined bearing with inner ring, Axial load in one direction



UTKpwr
Utilitak® V rail, V rail



M0
Worm and wheel set, Machined plastic (delrin)



M1
Worm and wheel set, Machined plastic (delrin)



ZG3
Plastic spur gear, Machined plastic (delrin)



CAP821
Slat top chain acetal, Large range 821



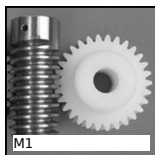
MET
Cylindrical sintered bronze bush, Self-lubricating sintered bronze



PTA80
Articulated levelling foot, pressed base Ø80, Ø 80



RPCpl
Fixed castor with plate, Steel - Polyamide



M1
Worm and wheel set, Machined plastic (delrin)



ADL_M
Male eye bolt conforms to DIN580, Steel

Complementary products



PTR
Idler chain sprocket, For standard applications



GTC
Belt tensioner, For standard applications