

Rigid manual tensioner



TMR

Ideal for belts

- Suitable for mounting and positioning GTC belt rollers and PTR sprockets

- Material:

Plated XC38 steel

304L stainless steel

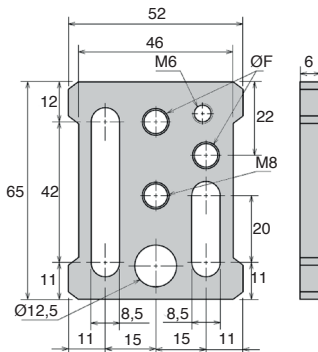
steel or stainless steel



Typical application using GTC belt roller



Typical application using PTR sprocket



DISCOUNTS

Qty	1+	4+	10+
Disc.	List	-10%	On request

Part number	Material	ØF	Stock*	Price each 1 to 3
TMR-8	Steel	M8	✓	25,23 €
TMR-10	Steel	M10	✓	25,23 €
TMR-8/SS	Stainless steel	M8	-	32,49 €
TMR-10/SS	Stainless steel	M10	-	32,49 €

*Depending on availability - Dimensions in mm

HPC

WEB
04/2020

www.hpceurope.com

Tél: 0 825 88 5000 Service 0,15 €/min + prix appel

Our other products



FUSS

Bearing locknut, Self locking locknut - stainless steel lock washer



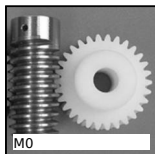
NKIA

Combined bearing with inner ring, Axial load in one direction



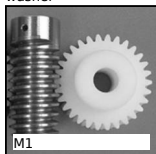
UTKpwr

Utilitak® V rail, V rail



M0

Worm and wheel set, Machined plastic (delrin)



M1

Worm and wheel set, Machined plastic (delrin)



ZG3

Plastic spur gear, Machined plastic (delrin)



CAP821

Slat top chain acetal, Large range 821



MET

Cylindrical sintered bronze bush, Self-lubricating sintered bronze



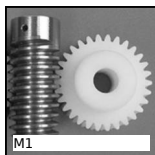
PTA80

Articulated levelling foot, pressed base Ø80, Ø 80



RPCpl

Fixed castor with plate, Steel - Polyamide



M1

Worm and wheel set, Machined plastic (delrin)



ADL_M

Male eye bolt conforms to DIN580, Steel

Complementary products



PTR

Idler chain sprocket, For standard applications



GTC

Belt tensioner, For standard applications