

- Suitable for mounting and positioning GTC belt rollers and PTR sprockets

- Material:

Plated XC38 steel

304L stainless steel

steel or stainless steel

### Accessories

- GTC belt tensioner (tome 4 p.146)

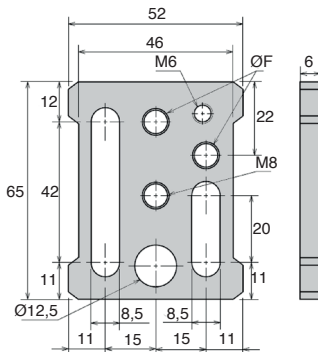
- PTR idler chain sprocket (tome 4 p.140)



Typical application using GTC belt roller



Typical application using PTR sprocket



### DISCOUNTS

Qty	1+	4+	10+
Disc.	List	-10%	On request

Part number	Material	ØF	Stock*	Price each 1 to 3
TMR-8	Steel	M8	✓	25,97 €
TMR-10	Steel	M10	-	25,97 €
TMR-8/SS	Stainless steel	M8	-	33,44 €
TMR-10/SS	Stainless steel	M10	-	33,44 €

\*Depending on availability - Dimensions in mm

- Suitable for mounting and positioning GTC belt rollers and PTR sprockets in a variety of positions

- Material:

Plated XC38 steel

304L stainless steel

- \*Anti-rotation system

### Accessories

- GTC belt tensioner

(tome 4 p.146)

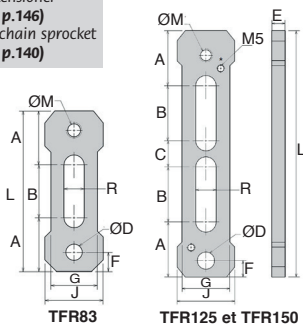
- PTR idler chain sprocket

(tome 4 p.140)

stainless steel



steel



TFR83

TFR125 et TFR150

Typical application using GTC belt roller



Typical application using PTR sprocket

### DISCOUNTS

Qty	1+	4+	10+
Disc.	List	-10%	On request

Part number	A	B	C	ØD	E	F	G	J	L	ØM	R	Stock*	Price each 1 to 3
<b>Steel version</b>													
TFR83-8	28	27,5	-	8,5	8	10	24	30	83,5	M8	10,5	✓	14,77 €
TFR83-10	28	27,5	-	8,5	8	10	24	30	83,5	M10	10,5	-	15,22 €
TFR125-8	28	27,5	14	10,5	8	10	24	30	125	M8	10,5	✓	15,80 €
TFR125-10	28	27,5	14	10,5	8	10	24	30	125	M10	10,5	✓	16,40 €
TFR125-12	28	27,5	14	10,5	8	10	24	30	125	M12	10,5	✓	17,30 €
TFR150-10	33,5	33,5	16	12,5	8	15	29	35	150	M10	12,5	-	24,78 €
TFR150-12	33,5	33,5	16	12,5	8	15	29	35	150	M12	12,5	✓	25,38 €
TFR150-16	33,5	33,5	16	12,5	8	15	29	35	150	M16	12,5	-	26,27 €
<b>Stainless steel version</b>													
TFR83-8/SS	28	27,5	-	8,5	8	10	24	30	83,5	M8	10,5	-	23,28 €
TFR83-10/SS	28	27,5	-	8,5	8	10	24	30	83,5	M10	10,5	-	24,19 €
TFR125-8/SS	28	27,5	14	10,5	8	10	24	30	125	M8	10,5	-	29,28 €
TFR125-10/SS	28	27,5	14	10,5	8	10	24	30	125	M10	10,5	-	30,15 €
TFR125-12/SS	28	27,5	14	10,5	8	10	24	30	125	M12	10,5	-	32,26 €
TFR150-10/SS	33,5	33,5	16	12,5	8	15	29	35	150	M10	12,5	-	45,11 €
TFR150-12/SS	33,5	33,5	16	12,5	8	15	29	35	150	M12	12,5	-	45,72 €
TFR150-16/SS	33,5	33,5	16	12,5	8	15	29	35	150	M16	12,5	-	47,21 €

\* Depending on availability - Dimensions in mm