

# Automatic chain tensioner

With sprocket

TCRX

## - Tensioner for single chain

### - Materials:

Housing and column: polyamide reinforced with 30% glass fibre

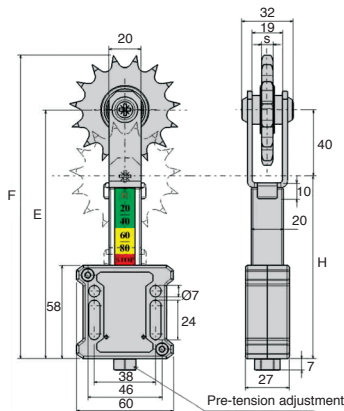
Screws and springs: stainless steel 304L

Steel version: bracket and sprocket steel

Stainless steel version: bracket, axle and nut

stainless steel 304L, stainless steel sprocket, sprocket bearing lubricated for life (FM 222 grease suitable for food industry acc USA standards).

steel or  
stainless  
steel



## DISCOUNTS

Qty	1+	4+	10+
Disc.	List	-10%	On request

Part number	Chain Pitch	N° of teeth	S	Øext	ØPCD	F	E	H	Stroke	Tension (N)	Price each	
											1 to 3	
<b>Steel sprocket</b>												
TCRX-06B1	06B1	9,525	15	5,3	49,3	45,81	160	135,0	95,0	40	100 to 240	67,46 €
TCRX-08B1	08B1	12,700	15	7,2	65,5	61,09	186	153,5	113,5	40	100 to 240	66,79 €
TCRX-10B1	10B1	15,875	15	9,1	83,0	76,36	196	153,5	113,5	40	100 to 240	71,33 €
<b>Stainless steel sprocket</b>												
TCRX-06B1/SS	06B1	9,525	15	5,3	49,3	45,81	160	135,0	95,0	40	100 to 240	83,28 €
TCRX-08B1/SS	08B1	12,700	15	7,2	65,5	61,09	186	153,5	113,5	40	100 to 240	88,58 €
TCRX-10B1/SS	10B1	15,875	15	9,1	83,0	76,36	196	153,5	113,5	40	100 to 240	113,16 €

Dimensions in mm

## Our other products



PLB  
Cylindrical spacer,  
Brass



BH01  
Single housed  
bearing, Bearing fitted  
with adhesive



RPCtc  
Swivel castor with  
central hole, Steel -  
Polyamide



BRI  
Panel holder, Panel  
holder



SSB  
Stainless steel bevel  
gear, 1:1



M0  
Worm and wheel set,  
Machined plastic  
(delrin)



BOX-TOR-ORFS  
Box set of Nitrile O-  
rings NBR90Sh A, 7.65  
x 1.78mm to 37.82 x  
1.78



NCT  
Square tube  
connector, Fixed  
angle



ACLEPP  
Right angled bracket  
for aluminium profile,  
2 holes



SEV  
Vertical stirrup toggle  
clamp, Vertical Latch  
Clamp - stainless steel

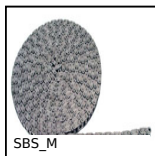


R204  
Die spring ISO10243,  
Average

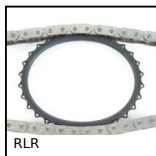


PM2  
Worm and wheel set,  
Machined plastic  
(delrin)

## Complementary products



SBS\_M  
Single chain supplied  
by the metre,  
Stainless steel



RLR  
Roll-Ring® chain  
tensioner, Roll-Ring®  
Self-adjusting



PCS375S  
Chain sprocket -  
Stainless steel, 9.525  
(DIN 06B-1)