

Automatic chain tensioner

With sprocket

TCRX

- Tensioner for single chain

- Materials:

Housing and column: polyamide reinforced with 30% glass fibre

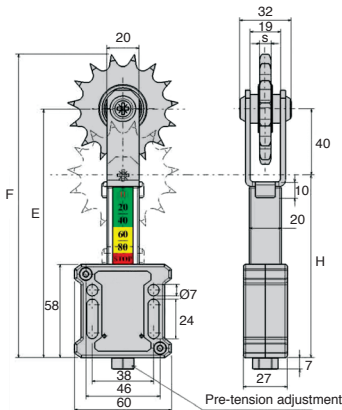
Screws and springs: stainless steel 304L

Steel version: bracket and sprocket steel

Stainless steel version: bracket, axle and nut

stainless steel 304L, stainless steel sprocket, sprocket bearing lubricated for life (FM 222 grease suitable for food industry acc USA standards).

steel or
stainless
steel



DISCOUNTS

Qty	1+	4+	10+
Disc.	List	-10%	On request

Part number	Chain Pitch	N° of teeth	S	Øext	ØPCD	F	E	H	Stroke	Tension (N)	Price each	
											1 to 3	
Steel sprocket												
TCRX-06B1	06B1	9,525	15	5,3	49,3	45,81	160	135,0	95,0	40	100 to 240	67,46 €
TCRX-08B1	08B1	12,700	15	7,2	65,5	61,09	186	153,5	113,5	40	100 to 240	66,79 €
TCRX-10B1	10B1	15,875	15	9,1	83,0	76,36	196	153,5	113,5	40	100 to 240	71,33 €
Stainless steel sprocket												
TCRX-06B1/SS	06B1	9,525	15	5,3	49,3	45,81	160	135,0	95,0	40	100 to 240	83,28 €
TCRX-08B1/SS	08B1	12,700	15	7,2	65,5	61,09	186	153,5	113,5	40	100 to 240	88,58 €
TCRX-10B1/SS	10B1	15,875	15	9,1	83,0	76,36	196	153,5	113,5	40	100 to 240	113,16 €

Dimensions in mm

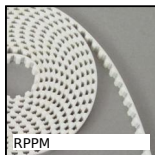
Our other products



HLUMss
Revolving handle for handwheel, Stainless steel 316



M0
Worm and wheel set, Bronze



RPPM
RPP type belt per metre, RPP8 Steel cored polyurethane



VTH
Hexagonal headed bolts, Steel class 8.8



UCFL
Cast iron flanged bearing, Cast iron



BCM_T
Driving collar, Driving collar



GARDLL
Mounting sleeve for lock pin, Nickel-plated steel or Stainless steel



SLB
Indexing plunger, stainless steel



NPTF20
Spacer for tube carrier, Fixing



PTA50
Articulated levelling foot, pressed base



SVG
Adjustable latch clamp with strike

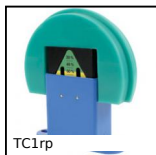


CRM
Moulded nylon rack, Nylon

Complementary products



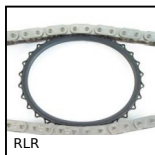
SUA4
Single chain supplied by the metre, Steel



TC1rp
Automatic chain tensioner, With 180° guide



PCS37
Chain sprocket - steel, 9.525mm (DIN06B-1)



RLR
Roll-Ring® chain tensioner, Roll-Ring® Self-adjusting