

Automatic chain tensioner

TCSH

With support

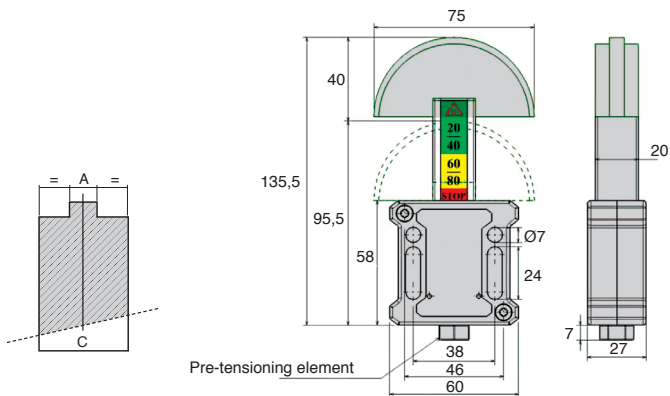
- Tensioner for single chain

- Materials:

Housing and column: polyamide reinforced with 30% glass fibre

Profile: Green HD1000 polyethylene

Screws and springs: stainless steel 304L



DISCOUNTS

Qty	1+	4+	10+
Disc.	List -10%	On request	On request

Part number	Chain	A	C	Stroke	Tension	
					(N)	Price each
TCSH-06B1	06B1	5	20	40	100 to 240	39,81 €
TCSH-08B1	08B1	7	20	40	100 to 240	39,81 €
TCSH-10B1	10B1	9	20	40	100 to 240	39,81 €
TCSH-12B1	12B1	11	20	40	100 to 240	39,81 €

Dimensions in mm

HPC

WEB
04/2020

www.hpceurope.com

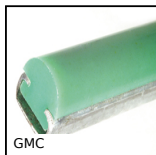
Tél: 0 825 88 5000 Service 0,15 €/min + prix appel

Our other products



GLT2-17

Telescopic drawer runners for groove mounting, Partial extension



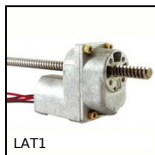
GMC

Flat profile - Round guide, Flat profile - round guide



CFF_SS

Female rod ends DIN ISO12240-4, Stainless steel / bronze - Economy r...



LAT1

1A motorised linear actuator, 1 ampere



FTSN

Supported shaft for linear guide, Steel shaft / Aluminium support



RFK58C

Hypoid gearbox - Stainless steel, up to 500 Nm



HW_HT

Half-rail guide, Rail



STU

Stroke rotary bushing, Steel



BLH40

Right angled gearbox, from 3 to 10.30 Nm



CLG2

Moulded plastic spur gear, Moulded plastic



BPM

Slotted spring plunger with ball tip, Stainless



S2B

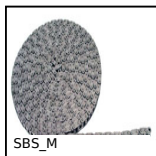
Short linear bearing housing, Closed - Slim

Complementary products



SUA4

Single chain supplied by the metre, Steel



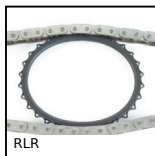
SBS_M

Single chain supplied by the metre, Stainless steel



PCS50

Chain sprocket - steel, 12.7mm (DIN08B-1)



RLR

Roll-Ring® chain tensioner, Roll-Ring® Self-adjusting