

Automatic chain tensioner

TCSH

With support

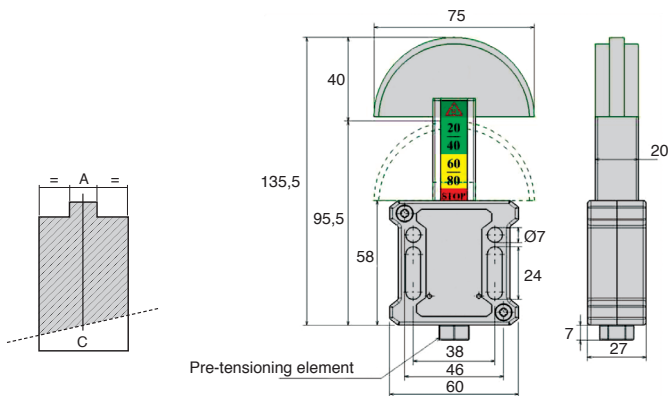
- Tensioner for single chain

- Materials:

Housing and column: polyamide reinforced with 30% glass fibre

Profile: Green HD1000 polyethylene

Screws and springs: stainless steel 304L



DISCOUNTS

Qty	1+	4+	10+
Disc.	List -10%	On request	On request

Part number	Chain	A	C	Stroke	Tension	
					(N)	Price each
TCSH-06B1	06B1	5	20	40	100 to 240	39,81 €
TCSH-08B1	08B1	7	20	40	100 to 240	39,81 €
TCSH-10B1	10B1	9	20	40	100 to 240	39,81 €
TCSH-12B1	12B1	11	20	40	100 to 240	39,81 €

Dimensions in mm

HPC

WEB
04/2020

www.hpceurope.com

Tél: 0 825 88 5000 Service 0,15 €/min + prix appel

Our other products



VB

Small 6 lobe threaded handle - female, Duroplast - Stainless steel



BOX-INS-W

Box set of self tapping inserts, Boxed set - For wood



BPFss

Pressed stainless steel flange bearing, Stainless steel



ACL-APB

Closing system for aluminium profile, Magnetic door stop



TB8

Cylindrical roller thrust bearing, Steel



PSG15

Spur gear - precision range, Case hardened steel 20NCD2



G1

Steel spur gear, Steel 20NCD2



CHA60

Rectangular hinge, drilled or countersunk, Rectangular, drilled or C...



MO

Worm and wheel set, Machined plastic (delrin)



CHAM5270SS

Marine hinge for welding/screw mounting, Marine



DER80

Stainless steel AC asynchronous motor 0.55 - 0.75kW, 0.55 to



CABma

Swaging sleeve for fitting cable, To crimp a wire rope

Complementary products



SUA4

Single chain supplied by the metre, Steel



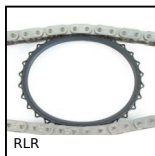
SBS_M

Single chain supplied by the metre, Stainless steel



PCS50

Chain sprocket - steel, 12.7mm (DIN08B-1)



RLR

Roll-Ring® chain tensioner, Roll-Ring® Self-adjusting