

Automatic chain tensioner

TCLAR

With wide guide

- Tensioner for single chain

- Materials:

Housing: polyamide reinforced with 30% glass fibre

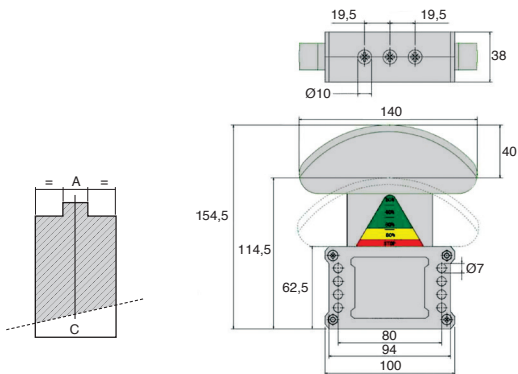
Profile: Green HD1000 polyethylene

Machined column: Black HD500 polyethylene

Screws and springs: stainless steel 304L

Adjustment

- Tension pressure can be reduced by loosening the springs, see instructions



DISCOUNTS

Qty	1+	4+	10+
Disc.	List -10%	On request	

Part number	Chain	A	C	Stroke	Tension (N)			Price each
					1 spring	2 springs	3 springs	1 to 3
TCL-AR-06B1	06B1	5	30	40	60 to 132	120 to 264	180 to 396	123,89 €
TCL-AR-08B1	08B1	7	30	40	60 to 132	120 to 264	180 to 396	123,89 €
TCL-AR-10B1	10B1	9	30	40	60 to 132	120 to 264	180 to 396	123,89 €
TCL-AR-12B1	12B1	11	30	40	60 to 132	120 to 264	180 to 396	123,89 €

Dimensions in mm

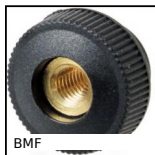
HPC

WEB
04/2020

www.hpceurope.com

Tél: 0 825 88 5000 Service 0,15 €/min + prix appel

Our other products



BMF

Knurled knob - female, Knurled - through threaded



GMK17_R

Round guide, Round guide for conical profile



BDP1R

Adjustable support arm, Single clamp



SLB

Indexing plunger, stainless steel



OPFL_OPPM

Numerical counter accessories, Operating knob



CLR

Straight clevis, Straight clevis for use with a male clevis



CQA20

Adjustment slide-system miniature, 20



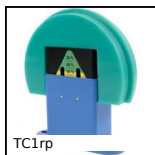
PSG125

Spur gear - precision range, Pre-hardened Steel 35NCD6



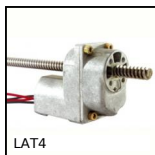
Q7

Angular contact ball bearing, Steel



TC1rp

Automatic chain tensioner, With 180° guide



LAT4

4A motorised linear actuator, 4 amperes



PRES4HR

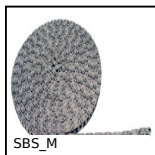
Manual workbench press, Force up to 600kg

Complementary products



SUA4

Single chain supplied by the metre, Steel



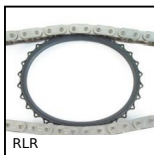
SBS_M

Single chain supplied by the metre, Stainless steel



PCS50

Chain sprocket - steel, 12.7mm (DIN08B-1)



RLR

Roll-Ring® chain tensioner, Roll-Ring® Self-adjusting