

# Automatic chain tensioner

## TCLAR

## With wide guide

### - Tensioner for single chain

#### - Materials:

Housing: polyamide reinforced with 30% glass fibre

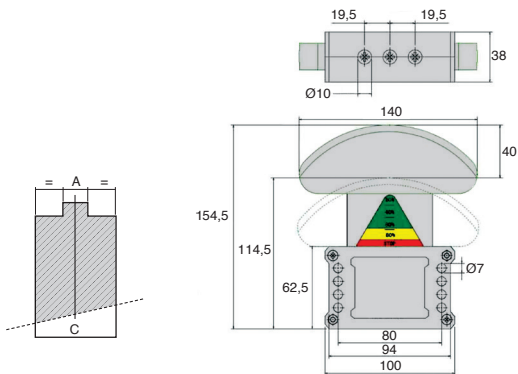
Profile: Green HD1000 polyethylene

Machined column: Black HD500 polyethylene

Screws and springs: stainless steel 304L

### Adjustment

- Tension pressure can be reduced by loosening the springs, see instructions



### DISCOUNTS

Qty	1+	4+	10+
Disc.	List -10%	On request	On request

Part number	Chain	A	C	Stroke	Tension (N)			Price each
					1 spring	2 springs	3 springs	1 to 3
TCL-AR-06B1	06B1	5	30	40	60 to 132	120 to 264	180 to 396	123,89 €
TCL-AR-08B1	08B1	7	30	40	60 to 132	120 to 264	180 to 396	123,89 €
TCL-AR-10B1	10B1	9	30	40	60 to 132	120 to 264	180 to 396	123,89 €
TCL-AR-12B1	12B1	11	30	40	60 to 132	120 to 264	180 to 396	123,89 €

Dimensions in mm

**HPC**

WEB  
04/2020

www.hpceurope.com

Tél: 0 825 88 5000 Service 0,15 €/min + prix appel

## Our other products



AC156-157  
Strike for toggle latch,  
25.5mm



HW\_HT  
Half-rail guide, Rail



EBH  
Cap nut Hygienic  
Design®, With collar



MEB  
Moulded plastic bevel  
gear (nylon), 1:1



RTTss  
Locking assembly,  
Medium/high torque



SERB  
Universal latch key,  
Universal latch key



DB  
Steel bevel gear, 2:1



BAN  
Angular clamp,  
Adjustable



BVR  
Adjustable screw stop,  
Steel



CHNrb  
Warning chain with  
red and white links,



PGB  
Accessory-holder for  
aluminium profile,



PGM52-M4  
Pull handle, Brass

## Complementary products



SUA4  
Single chain supplied  
by the metre, Steel



SBS\_M  
Single chain supplied  
by the metre,  
Stainless steel



PCS50  
Chain sprocket - steel,  
12.7mm (DIN08B-1)



RLR  
Roll-Ring® chain  
tensioner, Roll-Ring®  
Self-adjusting