

Adjustable latch clamp with catch plate **StaSta**

SVG26 Span adjustable from 82 to 92mm

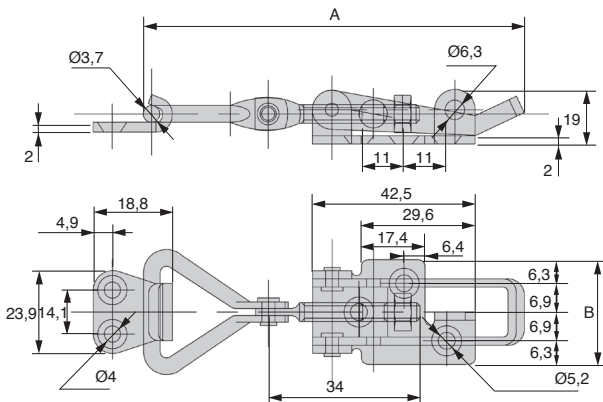
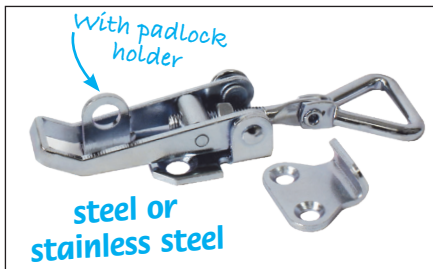
- Adjustable latch clamp with catch-plate

- Materials:

- Chromed steel
- Non treated 304 stainless steel

Application

- Clamping system for industrial applications
- Fold down the handle after attaching the hook
- Span is adjusted by turning the hook



DISCOUNTS

Qty	1+	10+	20+	50+
Disc.	List	-3%	-5%	On request

Part number	A	B	Material	Finish	Weight (g)	Stock*	Price each 1 to 9
SVG26-82-92	82 to 92	26,4	Steel	Galvanised	48	✓	6,75 €
SVG26-82-92/SS	82 to 92	26,4	S-Steel 304	Natural	48	✓	11,32 €

*Subject to availability - Dimensions in mm

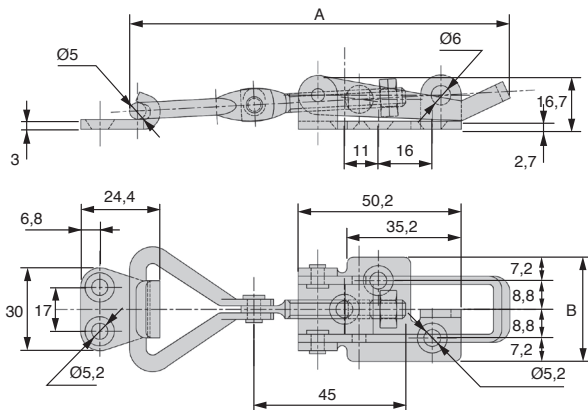
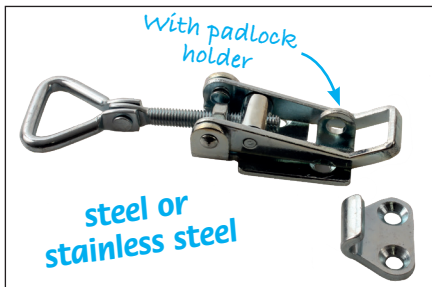
Ste Sta Adjustable latch clamp with catch plate

Span adjustable from 106.7 to 121.4mm **SVG32**

- Adjustable latch clamp with catch-plate
- Materials:
Chromed steel
Non treated 304
stainless steel

Application

- Clamping system for industrial applications
- Fold down the handle after attaching the hook
- Span is adjusted by turning the hook



DISCOUNTS

Qty	1+	10+	20+	50+
Disc. List	-3%	-5%	-5%	On request

Part number	A	B	Material	Finish	Weight (g)	Price each 1 to 9
SVG32-106-121	106.7 to 121.4	32	Steel	Galvanised	102	6.60 €
SVG32-106-121/SS	106.7 to 121.4	32	S-Steel 304	Natural	102	18.91 €

*Subject to availability - Dimensions in mm

Adjustable latch clamp with catch plate **Ste|Sta**

SVG39 Span adjustable from 118 to 130.5mm

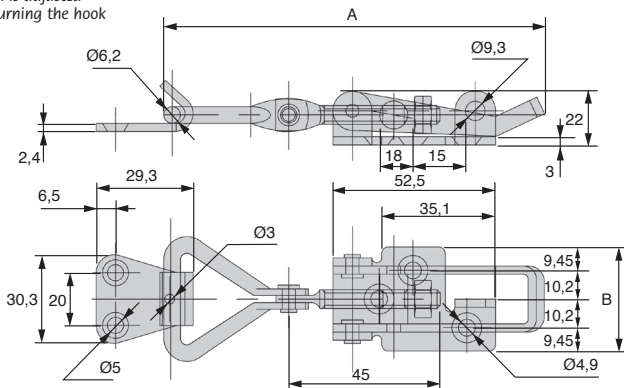
- Adjustable latch clamp with catch-plate

- Materials:

- Chromed steel
- Non treated 304 stainless steel

Application

- Clamping system for industrial applications
- Fold down the handle after attaching the hook
- Span is adjusted by turning the hook



DISCOUNTS

Qty	1+	10+	20+	50+
Disc.	List	-3%	-5%	On request

Part number	A	B	Material	Finish	Weight (g)	Stock*	Price each 1 to 9
SVG39-118-130	118 to 130,5	39,3	Steel	Galvanised	124	✓	11,51 €
SVG39-118-130/SS	118 to 130,5	39,3	S-Steel 304	Natural	124	✓	25,25 €

*Subject to availability - Dimensions in mm

HPC

WEB
04/2020

www.hpceurope.com

Tél: 0 825 88 5000 Service 0,15€/min + prix appel

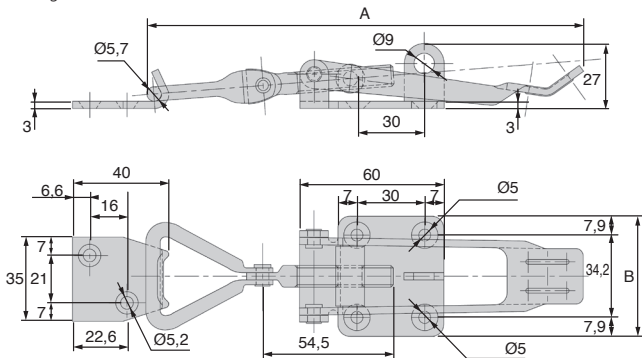
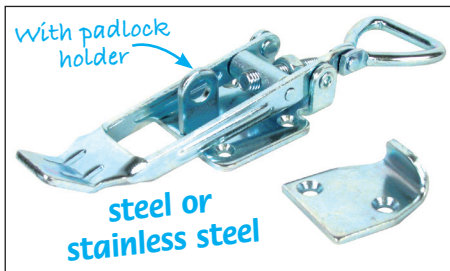
SteSta Adjustable latch clamp with catch plate

Span adjustable from 174 to 190mm **SVG50**

- Adjustable latch clamp with catch-plate
- Screw fixing
- Materials:
 - Chromed steel
 - Non treated 304 stainless steel

Application

- Clamping system for industrial applications
- Fold down the handle after attaching the hook
- Span is adjusted by turning the hook



DISCOUNTS

Qty	1+	10+	20+	50+
Disc. List	-3%	-5%	-5%	On request

Part number	A	B	Material	Finish	Weight (g)	Stock*	Price each 1 to 9
SVG50-174-190	174 to 190	50	Steel	Galvanised	236	✓	14,75 €
SVG50-174-190/SS	174 to 190	50	S-Steel 304	Natural	236	-	48,36 €

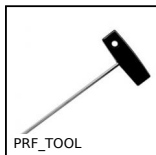
*Subject to availability - Dimensions in mm

Our other products



NCT

Square tube connector, Fixed angle



PRF_TOOL

Assembly key for aluminium profile, Assembly key



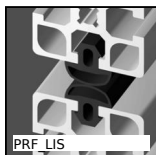
DB

Steel bevel gear, 2:1



LINK64

Synchronous AC Motor and-gearbox , from 1.3 to 6Nm



PRF_LIS

Door seal for aluminium profile, Black NBR



PP35

Worm and wheel gear reducer, from 2.20 to 4.10 Nm



PTR

Idle chain sprocket, For standard applications



UCP_SS

Stainless steel pillow block bearing, Stainless steel



AHEX

Hexagonal shaft, Hexagonal shaft



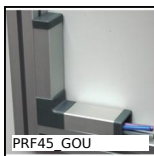
VTLF

3 lobed handle, Polyamide - Brass



PTA40

Articulated foot with solid base foot Ø 40,



PRF45_GOU

Chute profile, Accessories

Complementary products



SVG

Adjustable latch clamp with strike plate, Stroke from 106,7mm to 121...



SVG

Adjustable latch clamp with strike plate, Stroke from 118mm to 130,5mm



GEC

Rubber latch clamp with strike plate, Lockable



GAC

Latch clamp with lock, Lockable