

Sealing brush strip



STRIP 1m

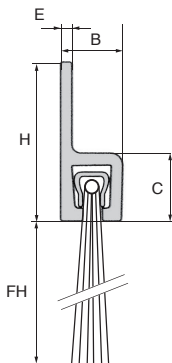
Straight rigid support 1 metre

- Provides a seal for the bottoms of doors, gates or roller shutters
- Prevents rodent entry
- Materials:
 - Frame: anodised aluminium
 - Brush: black polypropylene fibres with anti-UV treatment

Option

- Can be modified to order (subject to min quantity)

Aluminium strip



Can be modified to order

DISCOUNTS

Qty	1+	6+	25+	50+
Disc.	List	-10%	-15%	On request

Part number	Length (mm)	FH	H	B	C	E	Stock*	Price each 1 to 5
STRIP3-15-1000	1000	15	15	6,2	6,5	1,2	✓	13,77 €
STRIP3-20-1000	1000	20	15	6,2	6,5	1,2	✓	14,83 €
STRIP3-25-1000	1000	25	15	6,2	6,5	1,2	- New	16,20 €
STRIP5-25-1000	1000	25	25	8	8	1,2	✓	16,77 €
STRIP5-30-1000	1000	30	25	8	8	1,2	✓	17,36 €
STRIP5-40-1000	1000	40	25	8	8	1,2	- New	20,46 €
STRIP5-50-1000	1000	50	25	8	8	1,2	- New	21,72 €
STRIP8-40-1000	1000	40	50	13	13	2	✓	26,35 €
STRIP8-60-1000	1000	60	50	13	13	2	✓	32,43 €
STRIP8-80-1000	1000	80	50	13	13	2	✓	36,71 €
STRIP8-120-1000	1000	120	50	13	13	2	- New	68,22 €
STRIP8-150-1000	1000	150	50	13	13	2	- New	78,81 €

*Depending on availability - Dimensions in mm

Sealing brush strip



STRIP

Rigid support

- Provides a seal to the bottoms of doors, gates or roller shutters
- Prevents rodent entry
- Materials:

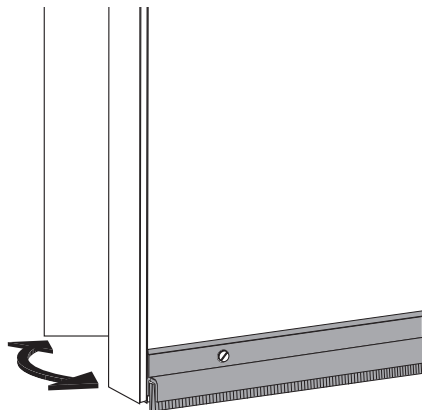
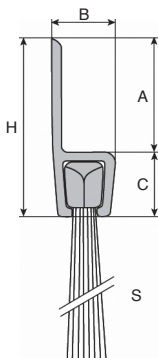
Frame: anodised aluminium

Brush: black polypropylene fibres



Aluminium
STRIP

Can be modified
to order



DISCOUNTS

Qty	1+	4+	6+	10+
Disc.	List	-10%	-15%	On request

Part number	Length L (mm)	A	B	C	H	S	Stock*	Price each 1 to 3
STRIP5-25	3000	17	8,0	8	25	25	✓	50,41 €
STRIP8-80	3000	37	12,6	13	50	80	✓	110,27 €

*Depending on availability - Dimensions in mm



Sealing brush strip

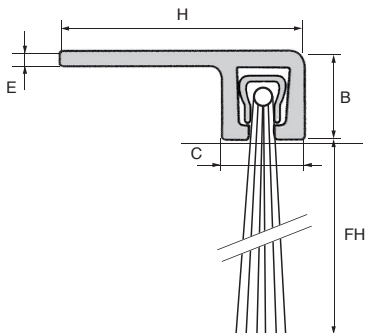
Right angled rigid support

STRIP

- Provides a seal for the bottoms of doors, gates or roller shutters
- Prevents rodent entry
- Material:
 - Frame: anodised aluminium
 - Brush: black polypropylene fibres with anti-UV treatment

Option

- Can be modified to order (subject to min quantity)



Can be modified to order

DISCOUNTS

Qty	1+	6+	25+	50+
Disc.	List	-10%	-15%	On request

Part number	Length (mm)	FH	H	B	C	E	Stock*	Price each 1 to 5
STRIP3-15F-1000	1000	15	15	6,5	6,5	1,2	✓	13,77 €
STRIP3-20F-1000	1000	20	15	6,5	6,5	1,2	✓	14,83 €
STRIP5-25F-1000	1000	25	25	8	8	1,2	✓	16,77 €
STRIP5-30F-1000	1000	30	25	8	8	1,2	✓	17,36 €
STRIP8-40F-1000	1000	40	50	13	13	2	✓	26,35 €
STRIP8-60F-1000	1000	60	50	13	13	2	✓	32,43 €
STRIP8-80F-1000	1000	80	50	13	13	2	✓	36,71 €

*Depending on availability - Dimensions in mm

Our other products



ACM_AZ

Mounting bracket for bonnet fastener, Hook



BPFL

Sheet steel flanged bearing for light loads, Sheet steel



SLS

Bearing block for leadscrew, Floating Drylin® bearing block



CM_CO

Tools Hygienic Usit® and Hygienic Design®, Protective inserts for ...



ADL_F

Female eye bolt conforms to DIN582, Steel



GE32

Sprung toggle latch with connecting link, Standard



RVM25

Manually operated gearbox, Bevel



NT122

Spur gear coaxial gearbox, from 32 to 85 Nm - In-line



BCM_CC

Modular cylindrical brush, Horsehair bristles



PO

Pull handle - Multi-sector, Smooth hole



HTD5M_25

HTD Heavy duty timing pulley, HTD5 Aluminium



NK27

Drylin®N miniature guiding system, Width 27 mm

Complementary products



STRIP1000

Sealing brush strip, 1m length



STRIP

Sealing brush strip, 3m length