

Sealing brush strip



STRIP 1m

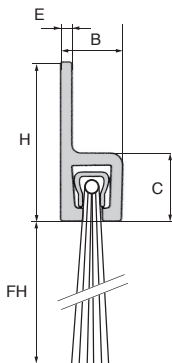
Straight rigid support 1 metre

- Provides a seal for the bottoms of doors, gates or roller shutters
- Prevents rodent entry
- Materials:
 - Frame: anodised aluminium
 - Brush: black polypropylene fibres with anti-UV treatment

Option

- Can be modified to order (subject to min quantity)

Aluminium strip



Can be modified to order

DISCOUNTS

Qty	1+	6+	25+	50+
Disc.	List	-10%	-15%	On request

Part number	Length (mm)	FH	H	B	C	E	Stock*	Price each 1 to 5
STRIP3-15-1000	1000	15	15	6,2	6,5	1,2	✓	13,77 €
STRIP3-20-1000	1000	20	15	6,2	6,5	1,2	✓	14,83 €
STRIP3-25-1000	1000	25	15	6,2	6,5	1,2	- New	16,20 €
STRIP5-25-1000	1000	25	25	8	8	1,2	✓	16,77 €
STRIP5-30-1000	1000	30	25	8	8	1,2	✓	17,36 €
STRIP5-40-1000	1000	40	25	8	8	1,2	- New	20,46 €
STRIP5-50-1000	1000	50	25	8	8	1,2	- New	21,72 €
STRIP8-40-1000	1000	40	50	13	13	2	✓	26,35 €
STRIP8-60-1000	1000	60	50	13	13	2	✓	32,43 €
STRIP8-80-1000	1000	80	50	13	13	2	✓	36,71 €
STRIP8-120-1000	1000	120	50	13	13	2	- New	68,22 €
STRIP8-150-1000	1000	150	50	13	13	2	- New	78,81 €

*Depending on availability - Dimensions in mm

Sealing brush strip



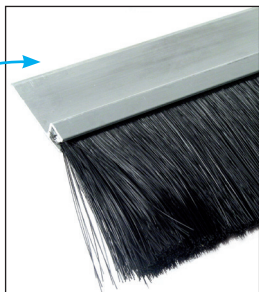
STRIP

Rigid support

- Provides a seal to the bottoms of doors, gates or roller shutters
- Prevents rodent entry
- Materials:

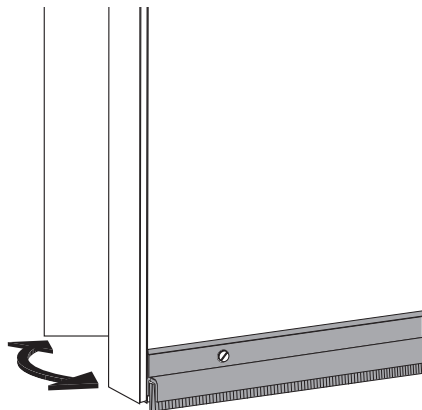
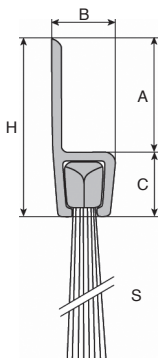
Frame: anodised aluminium

Brush: black polypropylene fibres



Aluminium
STRIP

Can be modified
to order



DISCOUNTS

Qty	1+	4+	6+	10+
Disc.	List	-10%	-15%	On request

Part number	Length L (mm)	A	B	C	H	S	Stock*	Price each 1 to 3
STRIP5-25	3000	17	8,0	8	25	25	✓	50,41 €
STRIP8-80	3000	37	12,6	13	50	80	✓	110,27 €

*Depending on availability - Dimensions in mm



Sealing brush strip

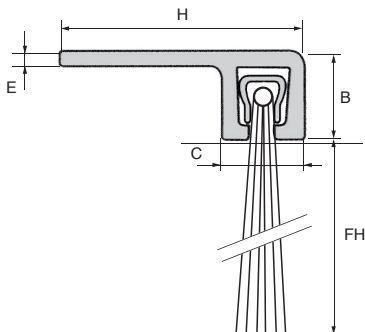
Right angled rigid support

STRIP

- Provides a seal for the bottoms of doors, gates or roller shutters
- Prevents rodent entry
- Material:
 - Frame: anodised aluminium
 - Brush: black polypropylene fibres with anti-UV treatment

Option

- Can be modified to order (subject to min quantity)



Can be modified to order

DISCOUNTS

Qty	1+	6+	25+	50+
Disc.	List	-10%	-15%	On request

Part number	Length (mm)	FH	H	B	C	E	Stock*	Price each 1 to 5
STRIP3-15F-1000	1000	15	15	6,5	6,5	1,2	✓	13,77 €
STRIP3-20F-1000	1000	20	15	6,5	6,5	1,2	✓	14,83 €
STRIP5-25F-1000	1000	25	25	8	8	1,2	✓	16,77 €
STRIP5-30F-1000	1000	30	25	8	8	1,2	✓	17,36 €
STRIP8-40F-1000	1000	40	50	13	13	2	✓	26,35 €
STRIP8-60F-1000	1000	60	50	13	13	2	✓	32,43 €
STRIP8-80F-1000	1000	80	50	13	13	2	✓	36,71 €

*Depending on availability - Dimensions in mm

Our other products



AT5M AT10M

AT type timing belt per metre, AT5 Steel cored polyurethane



SH0

Parallel axis helical gear, Machined plastic (delrin)



EHD16

Internal epicyclic servo reducers, from 210 to 380 Nm



QTR

Tapered roller bearing, Steel



SHNbr

Hexagonal nut DIN934, Brass



BH01

Single housed bearing, Bearing fitted with adhesive



PTA150

Articulated levelling foot, pressed base Ø150, Ø 150



EBH

Cap nut Hygienic Design®, With collar



CHAEss

Decorative hinge, Stainless steel



OP2

Mechanical digital position indicator, 3



BSM_LOK

Long-Lok spring plunger with internal



ACM_DZ

Clip for bonnet fastener, Clip

Complementary products



STRIPF

Sealing brush strip, 1m length



STRIP

Sealing brush strip, 3m length