

Sealing brush strip



STRIP 1m

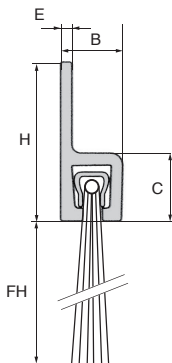
Straight rigid support 1 metre

- Provides a seal for the bottoms of doors, gates or roller shutters
- Prevents rodent entry
- Materials:
 - Frame: anodised aluminium
 - Brush: black polypropylene fibres with anti-UV treatment

Option

- Can be modified to order (subject to min quantity)

Aluminium strip



Can be modified to order

DISCOUNTS

Qty	1+	6+	25+	50+
Disc.	List	-10%	-15%	On request

Part number	Length (mm)	FH	H	B	C	E	Stock*	Price each 1 to 5
STRIP3-15-1000	1000	15	15	6,2	6,5	1,2	✓	13,77 €
STRIP3-20-1000	1000	20	15	6,2	6,5	1,2	✓	14,83 €
STRIP3-25-1000	1000	25	15	6,2	6,5	1,2	- New	16,20 €
STRIP5-25-1000	1000	25	25	8	8	1,2	✓	16,77 €
STRIP5-30-1000	1000	30	25	8	8	1,2	✓	17,36 €
STRIP5-40-1000	1000	40	25	8	8	1,2	- New	20,46 €
STRIP5-50-1000	1000	50	25	8	8	1,2	- New	21,72 €
STRIP8-40-1000	1000	40	50	13	13	2	✓	26,35 €
STRIP8-60-1000	1000	60	50	13	13	2	✓	32,43 €
STRIP8-80-1000	1000	80	50	13	13	2	✓	36,71 €
STRIP8-120-1000	1000	120	50	13	13	2	- New	68,22 €
STRIP8-150-1000	1000	150	50	13	13	2	- New	78,81 €

*Depending on availability - Dimensions in mm

Sealing brush strip



STRIP

Rigid support

- Provides a seal to the bottoms of doors, gates or roller shutters
- Prevents rodent entry
- Materials:

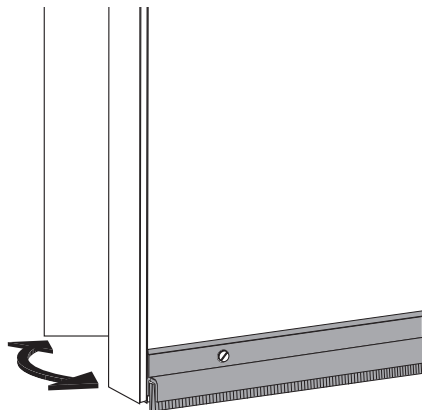
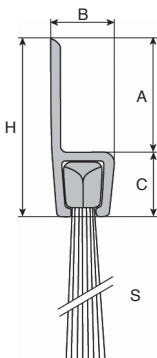
Frame: anodised aluminium

Brush: black polypropylene fibres



Aluminium
STRIP

Can be modified
to order



DISCOUNTS

Qty	1+	4+	6+	10+
Disc.	List	-10%	-15%	On request

Part number	Length L (mm)	A	B	C	H	S	Stock*	Price each 1 to 3
STRIP5-25	3000	17	8,0	8	25	25	✓	50,41 €
STRIP8-80	3000	37	12,6	13	50	80	✓	110,27 €

*Depending on availability - Dimensions in mm



Sealing brush strip

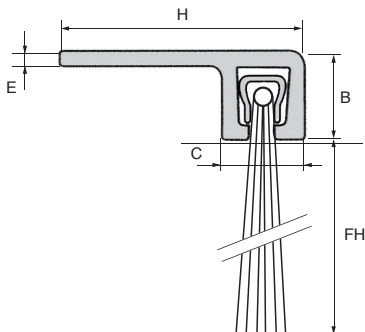
Right angled rigid support

STRIP

- Provides a seal for the bottoms of doors, gates or roller shutters
- Prevents rodent entry
- Material:
 - Frame: anodised aluminium
 - Brush: black polypropylene fibres with anti-UV treatment

Option

- Can be modified to order (subject to min quantity)



Can be modified to order

DISCOUNTS

Qty	1+	6+	25+	50+
Disc.	List	-10%	-15%	On request

Part number	Length (mm)	FH	H	B	C	E	Stock*	Price each 1 to 5
STRIP3-15F-1000	1000	15	15	6,5	6,5	1,2	✓	13,77 €
STRIP3-20F-1000	1000	20	15	6,5	6,5	1,2	✓	14,83 €
STRIP5-25F-1000	1000	25	25	8	8	1,2	✓	16,77 €
STRIP5-30F-1000	1000	30	25	8	8	1,2	✓	17,36 €
STRIP8-40F-1000	1000	40	50	13	13	2	✓	26,35 €
STRIP8-60F-1000	1000	60	50	13	13	2	✓	32,43 €
STRIP8-80F-1000	1000	80	50	13	13	2	✓	36,71 €

*Depending on availability - Dimensions in mm

Our other products



CHT

Asynchronous AC Motor, 0.55 to 1.1kW



AT5P_AT10P

Connecting plate for AT type timing belts, AT10



PRF JL5

Lip seal for panel, Door seal - Ø 5mm



ZG1

Plastic spur gear, Machined plastic (delrin)



S4

Chain sprocket-stainless steel, 4mm



H02SS

Needle roller universal joint - Stainless steel, Heavy duty DIN808-7...



SCR

Suction cup threaded insert, Adaptor for insert



P60

Worm and wheel gear reducer, up to 118 Nm



CHA38_SS

Stainless steel face frame hinge, Surface mount



PR125

Articulated foot Ø123, Ø 123



BPMc

Stainless steel slotted spring plunger with ceramic ball tip, 303



CHTRP

Single and dual output gearboxes, Up to 28,8 Nm

Complementary products



STRIPF

Sealing brush strip, 1m length



STRIP1000

Sealing brush strip, 1m length