

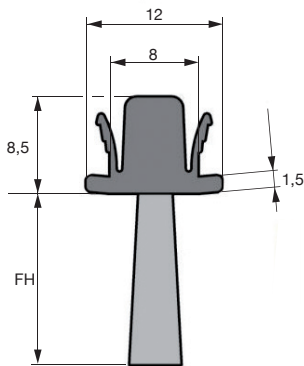
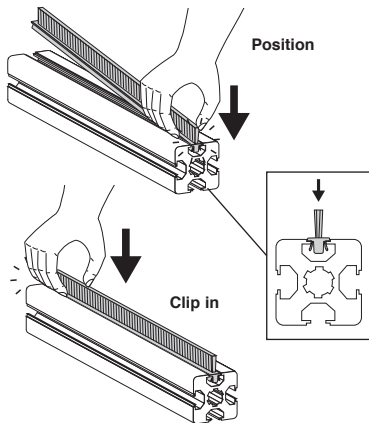
Profile mounting strip brushes

STL Inserts into profiles with 8mm slots

- For sealing, guiding or carrying : works with all 8mm deep profiles
- Single row of fibres
- Fibres made from Polyamide 6
- Body made from ABS

Advantages

- Clip-on, tool-free assembly
- Locking strips are held in the aluminium profile thus offering longer working life



DISCOUNTS

Qty	1+	6+	21+	50+
Disc.	List	-10%	-15%	On request

Part number	FH	Fibre diameter	Overall length	Effective length	Price each 1 to 5
STL2108-K1	10	0,15	1000	992,8	15,40 €
STL2108-K7	20	0,20	1000	992,8	15,83 €
STL2108-K14	30	0,30	1000	992,8	16,56 €
STL2108-K16	50	0,30	1000	992,8	17,53 €

Dimensions in mm

Our other products



M2

Worm and wheel set,
Machined plastic
(delrin)



CHA225

Bolt-on hinge with
threaded insert, 225
degrees



RURp

Wheel fixed with
plate, Polyurethane -
Aluminium rim (Free
running)



SLV

Vertical toggle clamp,
Vertical Lever Clamp -
stainless steel



BPL

Ball transfer unit,
Light



GLB

Small 6 lobe female
handle,
Technopolymer -
Stainless steel



BPLE

Ball transfer unit,
Light



INS_SS

Self tapping insert,
316 stainless steel



BOXKK

Boxed set of
DIN6885A keys,
Boxed set - Steel or



RDE-B

Sealing washer
Hygienic Usit®,
Stainless steel - Blue



EX

Optional shaft for E-
type gear reducers, E
Gearboxes double



GP

Spring loaded toggle
latch, With padlock-
holder

Complementary products



PRF4545

Standard aluminium
profile, 45 x 45 mm