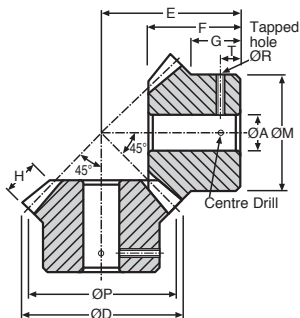


Ratio

Stainless steel 304L

1:1

- Module 0.8 to 2.5
- Pressure angle 20°
- Teeth Gleason
- Material:
stainless steel 304L
- Two gears must be ordered to make a pair



TORQUE AND POWER INDICATION	For 20 teeth at 1000 rpm					
	2.5 MOD	2.0 MOD	1.5 MOD	1.25 MOD	1.0 MOD	0.8 MOD
Torque (Nm)	4.30	2.20	0.94	0.71	0.57	0.14
Power (kW)	0.455	0.231	0.097	0.08	0.03	0.015

DISCOUNTS

Qty	1+	6+	20+
Disc. List	-12%	On request	On request

Part number	Teeth		ØP	E	ØD	ØA	ØM	F	G	H	ØR	T	Price each 1 to 5
	Z	Module											
SSB0.8-16	16	0.8	12,80	20	13,93	6	10	16,00	12,21	3,00	M3	7,00	44,47 €
SSB0.8-25	25	0.8	20,00	20	21,13	6	16	13,35	8,00	4,24	M3	5,00	48,27 €
SSB0.8-30	30	0.8	24,00	20	25,13	6	20	11,96	6,00	5,09	M3	4,00	52,17 €
SSB1-20	20	1	20,00	25	21,41	8	18	18,45	14,00	4,24	M4	8,00	53,13 €
SSB1-30	30	1	30,00	25	31,41	8	26	14,95	8,00	6,35	M4	5,00	60,39 €
SSB1.25-20	20	1.25	25,00	23	26,70	8	22	15,27	9,00	6,00	M4	3,50	55,81 €
SSB1.25-30	30	1.25	37,50	36	39,30	10	30	23,47	13,50	8,00	M4	5,00	63,23 €
SSB1.5-20	20	1.5	30,00	35	32,12	10	26	25,17	18,00	6,35	M4	10,00	57,62 €
SSB1.5-30	30	1.5	45,00	35	47,12	10	38	19,92	9,00	9,50	M4	5,00	70,91 €
SSB2-20	20	2	40,00	42	43,00	12	34	29,00	19,00	8,50	M5	10,00	67,40 €
SSB2-30	30	2	60,00	42	63,00	12	50	21,87	7,00	12,70	M5	4,00	84,44 €
SSB2.5-16	16	2.5	40,00	50	43,50	15	35	36,80	27,50	8,00	M5	15,00	68,91 €
SSB2.5-25	25	2.5	62,50	50	66,00	15	55	30,50	15,00	15,00	M5	8,00	97,78 €

Dimensions in mm

Our other products



PO
Housing handle - Multi-sector, Tapped recessed insert



PLM-20SC
Magnetic stud, With threaded hole



PGMSS
Carrying handle, Stainless steel



SSDB
Stainless steel bevel gear, 2:1



PW_PWG3
Worm - precision range, Stainless steel



BLHB60
Right angled gearbox, up to 70 Nm



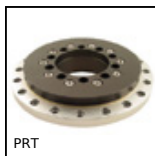
RPCpl
Wheel pivoting with plate, Steel - Polyamide



RFK38C
Hypoid gearbox - Stainless steel, up to 200 Nm



HG6
Spur gear, Steel 20NCD2



PRT
Slewing ring bearing Iglidur®, Iglidur®, aluminium and



PGR
Cylindrical revolving handle, Folding

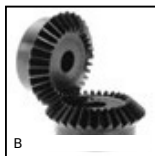


BC2
Panamech, Multi-Beam, Aluminium - with clamping jaw

Complementary products



MEB
Moulded plastic bevel gear (nylon), 1:1



B
Bevel gear - Steel 60C40, 1:1



B_ECO
Bevel gear - Steel C43, 1:1