

Adjustable latch clamp with catch plate **SteSta**

SRG20 Span adjustable from 77.3 to 83mm

- Adjustable latch clamp with catch-plate

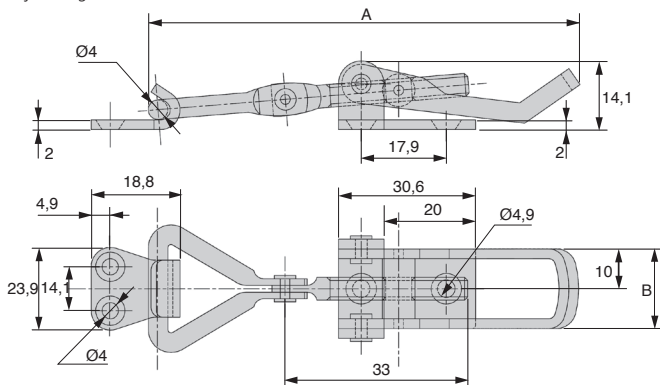
- Materials:

- Chromed steel
- Non treated 304 stainless steel



Application

- Clamping system for industrial applications
- Fold down the handle after attaching the hook
- Span is adjusted by turning the hook



DISCOUNTS

Qty	1+	10+	20+	50+
Disc.	List	-3%	-5%	On request

Part number	A	B	Material	Finish	Weight(g)	Stock*	Price each 1 to 9
SRG40-117-128	117,4 to 128	40,6	Steel	Galvanised	130	✓	8,03 €
SRG40-117-128/SS	117,4 to 128	40,6	S-Steel 304	Natural	130	✓	26,32 €

*Subject to availability - Dimensions in mm

Ste Sta Adjustable latch clamp with catch plate

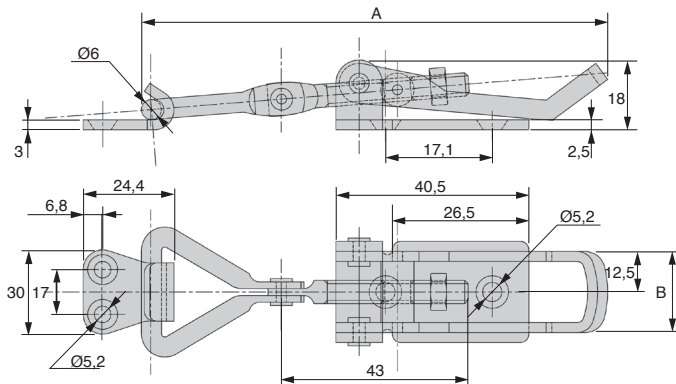
Span adjustable from 96 to 121.7mm SRG25

- Adjustable latch clamp with catch-plate

- Materials:
Chromed steel
Non treated 304
stainless steel

Application

- Clamping system for industrial applications
- Fold down the handle after attaching the hook
- Span is adjusted by turning the hook



DISCOUNTS

Qty	1+	10+	20+	50+
Disc. List	-3%	-5%	On request	

Part number	X	A	B	Material	Finish	Weight(g)	Stock*	Price each 1 to 9
SRG52-78-90	78 to 90	67	52	Steel	Galvanised	100	✓	15,11 €
SRG52-78-90/SS	78 to 90	67	52	S-Steel 304	Natural	100	✓	29,53 €

*Subject to availability - Dimensions in mm

Adjustable latch clamp with catch plate **Ste|Sta**

SRG40 Span adjustable from 117.4 to 128mm

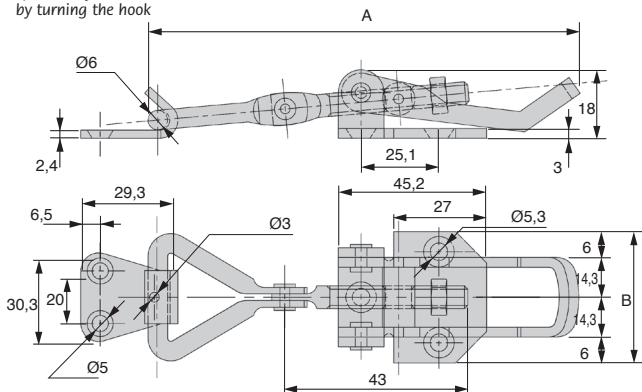
- Adjustable latch clamp with catch-plate

- Materials:

- Chromed steel
- Non treated 304 stainless steel

Application

- Clamping system for industrial applications
- Fold down the handle after attaching the hook
- Span is adjusted by turning the hook



DISCOUNTS

Qty	1+	10+	20+	50+
Disc.	List	-3%	-5%	On request

Part number	A	B	Material	Finish	Weight(g)	Stock*	Price each 1 to 9
SRG40-117-128	117,4 to 128	40,6	Steel	Galvanised	130	✓	8,03 €
SRG40-117-128/SS	117,4 to 128	40,6	S-Steel 304	Natural	130	✓	26,32 €

*Subject to availability - Dimensions in mm

SteSta Adjustable latch clamp with catch plate

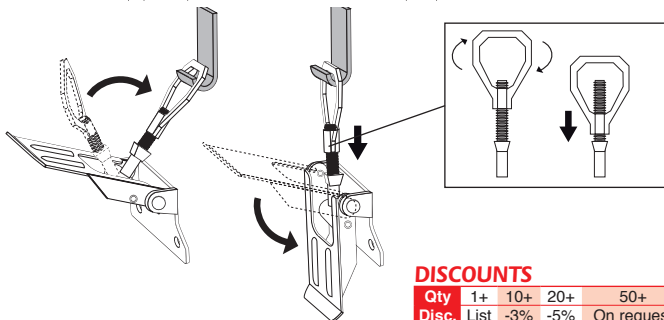
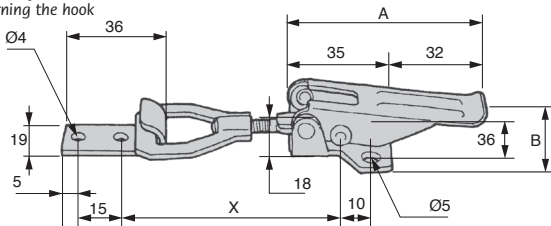
Span adjustable from 78 to 90mm **SRG52**

- Adjustable latch clamp with catch-plate

- Materials:
 - Chromed steel
 - Non treated 304 stainless steel

Application

- Clamping system for industrial applications
- Fold down the handle after attaching the hook
- Span is adjusted by turning the hook



DISCOUNTS

Qty	1+	10+	20+	50+
Disc. List	-3%	-5%	On request	On request

Part number	X	A	B	Material	Finish	Weight(g)	Stock*	Price each 1 to 9
SRG52-78-90	78 to 90	67	52	Steel	Galvanised	100	✓	15,11 €
SRG52-78-90/SS	78 to 90	67	52	S-Steel 304	Natural	100	✓	29,53 €

*Subject to availability - Dimensions in mm

Our other products



BPM

Slotted spring plunger
with ball tip, Steel



PCP

Cell carrier assembly,
Ready assembled



LRM

Trapezoidal bronze
nut, Bronze - 1 thread



PCLA_M

Technopolymer
clamping lever -
female, Plastic



T2

T type timing belt,
T2.5 Steel cored
polyurethane



BAGSS

Stainless steel
Clamping collar,
Stainless steel



SMS

Spiral bevel gear, 1:1



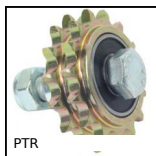
PR125

Articulated foot Ø123,
Ø 123



JCSs

Single stainless steel
universal joint, Low



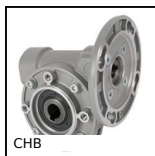
PTR

Idle chain sprocket,
For standard



RCC_RCX

Spherical tilt washer -
DIN6319, convex



CHB

Worm and wheel gear
reducer, up to 73 Nm

Complementary products



SRG

Adjustable latch
clamp with strike
plate, Stroke from
117,4mm to 128mm



SRG

Adjustable latch
clamp with strike
plate, Stroke from
78mm to 90mm