

# Vertical toggle clamp

## SLVHLOK

## With locking mechanism

**High quality swivel bush with vertical foot and adjustable spindle**

Constant level of force during both opening and closing

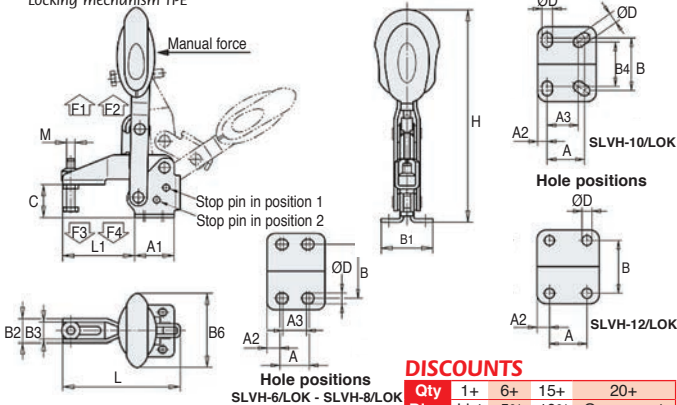
Increased stability thanks to U-shaped clamping arm  
Fitted with automatic locking mechanism

- Material :

Nitro carburised steel with blackened finish

Polyamide handle

Locking mechanism TPE



### DISCOUNTS

Qty	1+	6+	15+	20+
Disc. List	-5%	-10%	On request	

Part number	Opening angle (holding arm)			Opening angle (Handle)			Manual force N	Holding force		Clamping force	
	Pos. 1	Pos. 2	Stop pin removed	Pos. 1	Pos. 2	Stop pin removed		F1 (N)	F2 (N)	F3 (N)	F4 (N)
SLVH-6/LOK	56°	83°	156°	46°	56°	84°	160	1350	1650	920	1050
SLVH-8/LOK	13°	93°	157°	26°	61°	86°	190	2000	2800	940	1350
SLVH-10/LOK	6°	97°	175°	19°	59°	91°	250	2500	4500	1500	2800
SLVH-12/LOK	11°	88°	163°	24°	60°	91°	280	3000	5500	1400	2800

Part number	M	A	A1	A2	A3	B	B1	B2	B3	B4	B6	C	ØD	H	L	L1	Price
																	each 1 to 5
SLVH-6/LOK	M6x35	14	29	7	12	27	38	17,5	12,4	-	53,4	24,7	5,5	162,9	86,5	53	49,82 €
SLVH-8/LOK	M8x45	21	39	9	19	32	45	20,6	15,5	-	51,1	32,7	6,8	191,4	107	62	51,99 €
SLVH-10/LOK	M10x55	32	50	8	27	45	64	25,5	18,4	38	56,5	38,7	9	230,5	153	95	76,65 €
SLVH-12/LOK	M12x70	32	53	10,5	-	45	63	28	20,9	-	56,5	46,7	8,8	249,1	173,5	113,5	79,23 €

Dimensions in mm

## Our other products



PM3

Worm and wheel set,  
Machined plastic  
(delrin)



WBGV

Lifting ring, Threaded



PDD

Actuating plunger,  
Non-rotating detector  
shaft



PSG25

Spur gear - precision  
range, Stainless steel  
316



NT91

Spur gear coaxial  
gearbox, from 10 to  
35 Nm - In-line



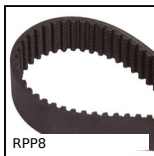
RBN

Wheel, Rubber tyre -  
Polypropylene rim



PSG25S

Spur gear - precision  
range, Stainless steel  
316



RPP8

RPP heavy duty  
timing belt, RPP8



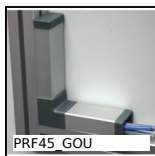
PSG25

Spur gear - precision  
range, Pre-hardened



CHML40

Worm and wheel gear  
reducer, up to 57 Nm



PRF45\_GOU

Chute profile,  
Accessories



STRIP

Sealing brush strip,  
3m length

## Complementary products



SLH-M

Nut for toggle clamp,  
Round ended nut for  
SLH/SLV clamp



SLV

Vertical toggle clamp,  
Vertical Lever Clamp -  
stainless steel