

Vertical toggle clamp



SLV

Retained by pressure

- **Two materials to choose from**
- **Materials:**
 - SLV body: zinc plated steel
 - SCH/SS body: stainless steel 18.9 (303)
 - Rivets: stainless steel
 - Fastening pin and nuts: phosphated steel
 - Handle: oil-resistant plastic
- With fixing base and adjustable fastening pin

steel or stainless steel

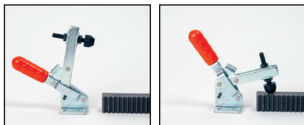


Advantages

- The angle between retaining arm to the handle can be adjusted by removing the gudgeon

Options

- Mounting bracket (please ask us)

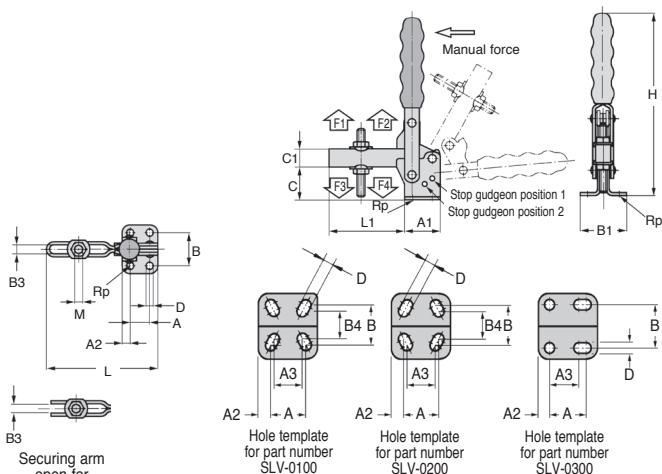


Typical application

Part number		Opening angle of retaining arm			Opening angle of handle			A1	B1	H
Steel	Stainless steel	Pos.1	Pos.2	without gudgeon	Pos.1	Pos.2	without gudgeon			
SLV-0075	SLV-0075SS	130°	-	160°	90°	-	100°	25	34	94
SLV-0100	-	95°	-	185°	65°	-	105°	29	34	98
SLV-0150	SLV-0150SS	95°	-	185°	75°	-	110°	27	38	121
SLV-0200	-	105°	-	175°	70°	-	95°	35	42	135
SLV-0250	SLV-0250SS	95°	125°	160°	70°	85°	100°	35	45	175
SLV-0300	-	105°	-	160°	65°	-	90°	43	53	186
SLV-0350	-	90°	120°	180°	70°	80°	110°	50	64	220
SLV-0450	-	90°	125°	180°	70°	85°	110°	53	64	228
SLV-0550	-	90°	120°	180°	65°	80°	110°	76	95	312

Part number		Manual force (N)	Holding force		Locking force		C	C1	L1
Steel	Stainless steel	(N)	F1(N)	F2(N)	F3(N)	F4(N)			
SLV-0075	SLV-0075SS	80	700	1100	500	750	16	9,0	32
SLV-0100	-	80	700	1000	500	800	22	9,5	38
SLV-0150	SLV-0150SS	120	1350	1650	800	1050	23	11,0	43
SLV-0200	-	100	1000	2200	950	1350	30	12,7	44
SLV-0250	SLV-0250SS	190	1000	2800	900	1700	32	17,5	75
SLV-0300	-	130	2000	3700	900	1850	34	19,0	100
SLV-0350	-	230	2200	4500	1400	3000	43	22,0	95
SLV-0450	-	260	3200	7000	1400	3000	51	25,0	124
SLV-0550	-	290	3000	8000	1800	3900	84	32,0	156

*Subject to availability - Dimensions in mm



Securing arm
open for
SLV-0100,
SLV-0200, and
SLV-0300

DISCOUNTS

Qty	1+	6+	15+	20+
Disc.	List	-5%	-10%	On request

Part number	A	A2	A3	B	B3	B4	D	L	M	Stock*	Price each 1 to 5
Steel											
SLV-0075	16,0	5,0	-	24,0	5,5	-	4,4	57	M5x35	✓	20,29 €
SLV-0100	16,0	6,0	14,0	24,0	5,5	17,5	4,8	67	M5x35	✓	20,05 €
SLV-0150	12,7	7,0	-	27,0	6,4	-	5,1	70	M6x50	✓	23,12 €
SLV-0200	19,0	8,0	12,7	27,0	6,3	25,0	5,5	79	M6x50	✓	23,12 €
SLV-0250	19,0	8,0	-	32,0	8,8	-	7,1	110	M8x60	✓	35,74 €
SLV-0300	25,0	9,0	19,0	34,5	8,8	-	8,0	143	M8x60	✓	43,00 €
SLV-0350	32,0	9,0	-	45,0	10,6	-	8,3	145	M10x80	✓	48,02 €
SLV-0450	32,0	10,0	-	45,0	12,7	-	8,7	177	M12x100	✓	61,03 €
SLV-0550	51,0	12,5	-	70,0	16,5	-	12,3	232	M16x150	-	81,90 €
Stainless steel											
SLV-0075SS	16,0	5,0	-	24,0	5,5	-	4,4	57	M5x35	✓	51,38 €
SLV-0150SS	12,7	7,0	-	27,0	6,4	-	5,1	70	M6x50	✓	66,02 €
SLV-0250SS	19,0	8,0	-	32,0	8,8	-	7,1	110	M8x60	✓	92,37 €

*Subject to availability - Dimensions in mm

Our other products



H0

Crossed helical gear
crossed axis at 90°,
Steel 20NCD2



DIA

Ring operated locking
bolt, with ring



PRES

Manual workbench
press accessory for
PRES-3HR end
PRES-4HR, Micromet...



NCT

Square tube
connector, Fixed
angle



PPOss

Pad eye on mounting
plate oval, Stainless
steel



TOL

Swivel head, Long



GG2

Ground spur gear,
Heat treated steel



PGT

Sliding profile, Sliding
panel support



NIN

Self-locking nut, A2
Stainless steel



ACL-FPA

Panel mounting block
for aluminium
structures, Angular



TBD

Manual leadscrew
table with opposing
threads, 5kg



PCS75K

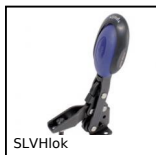
Chain sprocket with
hardened teeth,
19.05mm (DIN12B-1)

Complementary products



SLV

Vertical toggle clamp,
Vertical Lever Clamp -
stainless steel



SLVHlok

Vertical toggle clamp,
Vertical toggle clamp /
horizontal foot