

Horizontal toggle clamp

With **locking mechanism**

SLHV_{LOK}

High quality swivel bush with horizontal foot and adjustable spindle

Constant level of force during both opening and closing

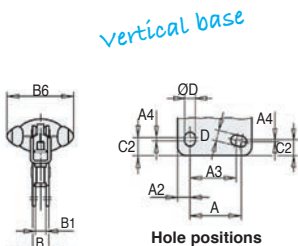
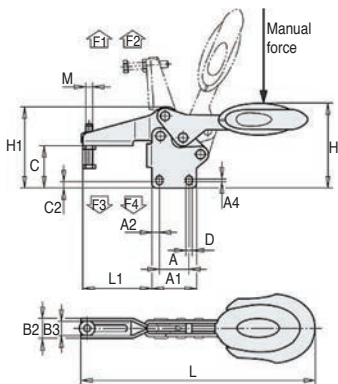
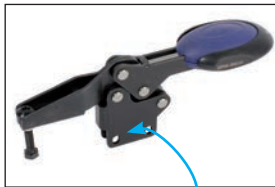
Increased stability thanks to U-shaped clamping arm fitted with automatic locking mechanism

-Material :

Nitro carburised steel with blackened finish

Polyamide handle

Locking mechanism TPE



DISCOUNTS

Qty	1+	6+	15+	20+
Disc.	List	-5%	-10%	On request

Part number	Opening angle		Manual force N	Holding force		Clamping force		H	H1	L	L1
	Holding arm	Handle		F1 (N)	F2 (N)	F3 (N)	F4 (N)				
SLHV-6/LOK	87°	68°	160	1350	1900	720	1200	74,3	71	193,7	60,5
SLHV-8/LOK	86°	66°	200	2000	2800	830	1400	88,3	84,4	230,3	74,9
SLHV-10/LOK	90°	71°	250	2200	4500	1200	2800	114,4	107,5	286,4	103,9
SLHV-12/LOK	88°	68°	280	2400	5500	1000	2800	128,5	125,2	321,3	122

Part number	M	A	A1	A2	A3	A4	B	B1	B2	B3	B6	C	C2	ØD	Price each
															1 to 5
SLHV-6/LOK	M6x35	26	39	6,5	-	2,5	14,1	9,1	17,5	12,4	53,4	37	5,5	5,5	51,38 €
SLHV-8/LOK	M8x45	26	44	9	-	3,5	14,1	9,1	21	15,7	51,1	46,5	7	6,2	52,31 €
SLHV-10/LOK	M10x55	41,5	59	9	-	2	16,2	9,2	26	18,7	56,5	59,6	8	8,8	70,14 €
SLHV-12/LOK	M12x70	44	65	10	40	1	16,2	9,2	28	20,9	56,5	75,9	13,5	8,5	73,16 €

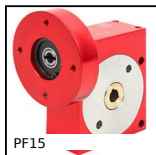
Dimensions in mm

Our other products



MET

Cylindrical sintered bronze bush, Self-lubricating sintered bronze



PF15

Worm and wheel gear reducer, up to 3,75 Nm



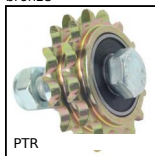
NKXR

Combined bearing without inner ring, Needle and cylindrical rollers



SVG

Adjustable latch clamp with strike plate, Stroke from 118mm to 130,5mm



PTR

Idler chain sprocket, For standard applications



PCS37SS

Chain sprocket - Stainless steel, 9.525 (DIN 06B-1)



WING

Manually tightened wing nut, Steel (ANSI B18-17)



T10-BAR

T type tooth bar stock, T10



CPAS

Stay with safety catch, Opens upward



PCLA_T

Technopolymer clamping lever - male,



RURp

Swivel castor with double brake,



ZDB

Machined plastic bevel gear , 2:1

Complementary products



SLH-M

Nut for toggle clamp, Round ended nut for SLH/SLV clamp



SLHHlok

Horizontal toggle clamp, Horizontal toggle clamp / horizontal foot