

Horizontal toggle clamp

SLHHLOK

With **locking mechanism**

High quality swivel bush with horizontal foot and adjustable spindle

Constant level of force during both opening and closing

Increased stability thanks to U-shaped clamping arm
Fitted with automatic locking mechanism

- Materials :

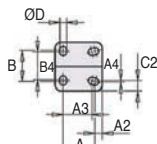
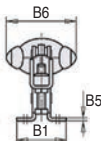
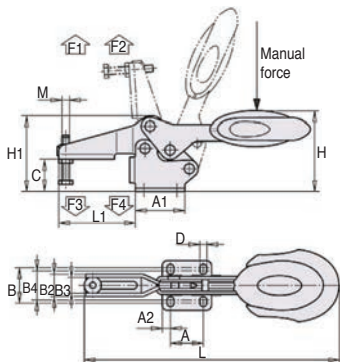
Nitro carburised steel with blackened finish

Polyamide handle

Locking mechanism TPE



Horizontal base



Hole positions

DISCOUNTS

Qty	1+	6+	15+	20+
Disc.	List	-5%	-10%	On request

Part number	Opening angle		Manual force N	Holding force		Clamping force		H	H1	L	L1
	Holding arm	Handle		F1 (N)	F2 (N)	F3 (N)	F4 (N)				
SLHH-6/LOK	87°	68°	160	1350	1900	720	1200	63,3	59,5	193,3	60,5
SLHH-8/LOK	86°	66°	200	2000	2800	830	1400	73,9	70	230,3	74,9
SLHH-10/LOK	90°	71°	250	2200	4500	1200	2800	94,8	87,9	286	103,9
SLHH-12/LOK	88°	68°	280	2400	5500	1000	2800	104,9	101,6	321,3	122

Part number	M	A	A1	A2	A3	A4	B	B1	B2	B3	B4	B5	B6	C	C2	ØD	Price each
																	1 to 5
SLHH-6/LOK	M6x35	26	39	6,5	-	-	28	39	17,5	12,4	24,6	53,4	53,4	25,5	-	5,5	51,38 €
SLHH-8/LOK	M8x45	26	44	9	-	-	31	45	21	15,7	26,1	51,1	51,1	32,2	-	6,2	52,31 €
SLHH-10/LOK	M10x55	41,5	59	9	-	-	43	59	26	18,7	39	56,5	56,5	40	-	8,8	75,52 €
SLHH-12/LOK	M12x70	44	65	10	40	1	42	67	28	20,9	40	56,5	56,5	52,3	13,5	8,5	78,77 €

Dimensions in mm

Our other products



DER90

Stainless steel AC asynchronous motor 1.1 - 1.5kW, 1.1 to 1.5kW



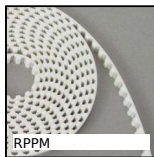
BAC105

Storage bin, 8mm



MSP19

Masterplate® glueable insert Ø19/Ø20, Cylindrical with nut



RPPM

RPP type belt per metre, RPP8 Steel cored polyurethane



YG1

HEAVY DUTY spur gear, Steel 35NCD6



RBG

Wheel, Grey rubber - Polypropylene rim



BC3

Panamech, Multi-Beam stainless steel, Stainless steel - with clampin...



CHB

Double output shaft, For CHB gearbox



CHTRP

Single and dual output gearboxes, Up to 34,5 Nm



GCA

Lynch pin, Lynch



YG1

HEAVY DUTY spur gear, Steel 35NCD6



PTA100

Articulated levelling foot, pressed base Ø100, Ø 100

Complementary products



SLH-M

Nut for toggle clamp, Round ended nut for SLH/SLV clamp



SLH

Horizontal toggle clamp, Horizontal Lever Clamp - steel