

Horizontal toggle clamp



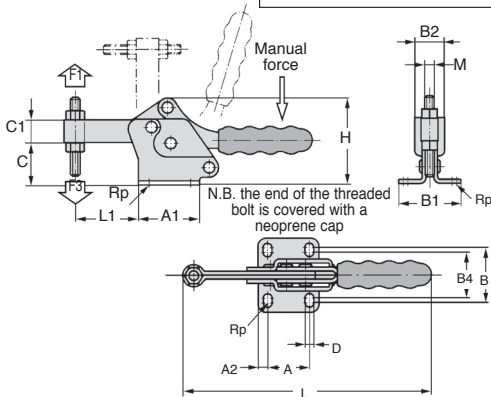
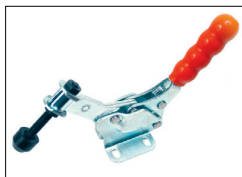
SLH

Secures by direct pressure

- Materials:
 - Body: zinc plated steel
 - Fastening pin and nuts: phosphated steel
 - Handle: Oil resistant plastic
- With fixing base and adjustable fastening pin

Options

- Mounting bracket (please ask us)



DISCOUNTS

Qty.	1+	6+	15+	20+
Disc.	List	-5%	-10%	On request

Part number	Opening angle of securing arm Pos. 1	Opening angle of handle Pos. 1	Manual force (N)	Manual force F1(N)	Securing force F3(N)
SLH-0075	90°	75°	80	750	320
SLH-0150	90°	80°	140	1500	650

Part number	A	A1	A2	B	B1	B2	B4	C	C1	D	H	L	L1	M	Stock*	Price each 1 to 5
SLH-0075	13,5	25	5,7	16,8	27	16	-	19	9,5	5,2	38	108	24,5	M5x35	✓	23,12 €
SLH-0150	26,0	38	6,0	28,0	40	20	22	25	14,0	5,5	53	155	38,0	M6x50	✓	27,24 €

*Subject to availability - Dimensions in mm

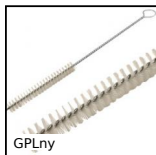
HPC

WEB
04/2020

www.hpceurope.com

Tél: 0 825 88 5000 Service 0,15 €/min + prix appel

Our other products



GPLny

Brush, nylon



ES

Simple support base
(bipod), Plastic



PSG25

Spur gear - precision
range, Case hardened
steel 20NCD2



VTSM

Ball head screws
Hygienic Design®,
Stainless steel



VT

Vari-Tork® slip
friction clutch, 0.53 to
1.32 Nm



PW_PWG1

Wheel - precision
range, Bronze



HTD8M_30

HTD Heavy duty
timing pulley, HTD8
Steel



PHTss

Pull handle, Up to 250
°C



GSA_A

Adjustable gas spring,
Steel



GAL48_OMNI

Omni-directional
roller, Omni-
directional



RHTplss

High Temperature
Castor, up to 200kg



DER71

Stainless steel AC
asynchronous motor
0.25 à 0.37kW, 0.25
to 0.37kW

Complementary products



SLHHlok

Horizontal toggle
clamp, Horizontal
toggle clamp /
horizontal foot