

- **Manual operating element**
- **Materials:**  
Wheel: glass fibre reinforced polyamide  
Hub: galvanised steel

### Info.

- Revolving handle folds away for safety

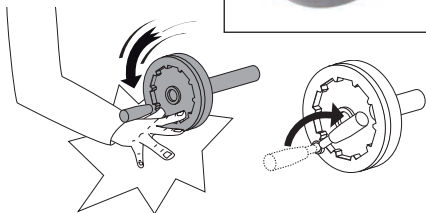
### Options

- Different bore diameters
- Keyways
- See modification info on page 54

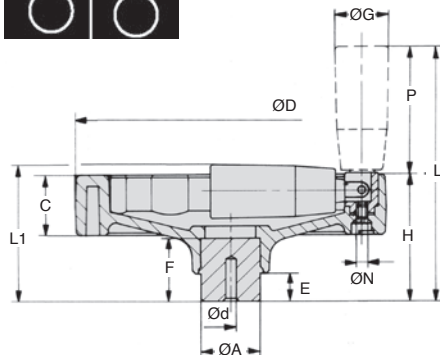
### Uses

- All types of machines

**Great value for money**



### Bore modifications



### DISCOUNTS

Qty	1+	6+	20+
Disc.	List	-5%	On request

Part number	Ød Pre-bore	ØD	H	C	ØA	E	F	L	L1	ØG	P	ØN	Price each	
													Stock*	1 to 5
SHA-100-PTR	4	100	46	20	24	12	24	98	50	21	52	M4	✓	42,14 €
SHA-125-PTR	6	125	51	24	24	12	28	103	54	21	52	M4	✓	46,79 €
SHA-160-PTR	6	160	61	28	32	15	31	133	65	23	72	M5	✓	53,09 €
SHA-200-PTR	6	200	74	32	40	15	40	166	79	26	92	M6	✓	66,54 €

\*Depending on availability - Dimensions in mm

## Our other products



YG3

HEAVY DUTY spur gear, Steel 35NCD6



MET

Cylindrical sintered bronze bush, Self-lubricating sintered bronze



H2

Crossed helical gear crossed axis at 90°, Machined plastic (delrin)



AHEX

Hexagonal shaft, Hexagonal shaft



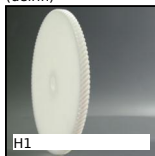
AKN

Bellows coupling Gerwah®, from 22 to 180Nm



CHAsb89

Hinge without pin, Plastic hinge



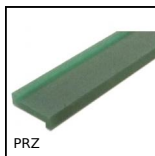
H1

Crossed helical gear crossed axis at 90°, Machined plastic (delrin)



BOX-TOR-C

Box set of Nitrile O-rings in nitrile, 3.00 x 1.50mm to 30.20 x 3.00



PRZ

Wear strip for slat top chain, Z profile to be filled



GALRUB

60mm rubber wheel for conveyor belt, Rubber



PR125rehausse

Extension for articulated foot Ø123, articulated foot PR125



KB\_UU

Closed linear precision bearing, Precision - steel

## Complementary products



PGR

Folding revolving handle for handwheel, Folding



VPPTss

Stainless steel handwheel with handle, Stainless steel 304



SHA\_PT

Handwheel with handle, Polyamide



V3RA\_PT

3-spoked handwheel with handle, Polyamide