

- **Manual operating element**
- **Materials:**  
Wheel: glass fibre reinforced polyamide  
Hub: galvanised steel

### Options

- Different bore diameters
- Keyways
- See modification info on page 54

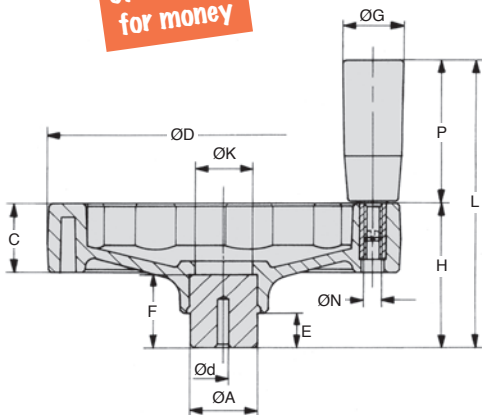
### Uses

- All types of machines



Great value  
for money

### Bore modifications



### DISCOUNTS

Qty	1+	6+	20+
Disc.	List	-5%	On request

Part number	Ød		H	C	ØA	E	F	ØK	L	ØG	P	ØN	Stock	Price each
	Pre-bore	ØD												1 to 5
SHA-100-PT	4	100	46	20	24	12	24	18	96	21	50	M6	✓	17,89 €
SHA-125-PT	6	125	51	24	24	12	28	20	101	21	50	M6	✓	21,63 €
SHA-160-PT	6	160	61	28	32	15	31	30	131	23	70	M8	✓	28,09 €
SHA-200-PT	6	200	74	32	40	15	40	35	164	26	90	M10	✓	40,36 €

\*Depending on availability - Dimensions in mm

## Our other products



CHTRP

Single and dual output gearboxes, Up to 28,8 Nm



VRSSss

Male swivelling lifting rings stainless steel, Male swivelling - s...



PX

Optional output shaft stainless steel, P gearboxes double sided outp...



DOMI80

Accessories, Turntable



PM4

Worm and wheel set, Machined plastic (delrin)



RCX-6

Spherical tilt washer - DIN6319, convex



PDD

Actuating plunger, Non-rotating detector shaft



EX

Optional shaft for E-type gear reducers, E Gearboxes single sided ou...



PRF\_ART

Articulated bracket for use with aluminium



PRES4HR

Manual workbench press, Force up to



SH0

Parallel axis helical gear, Steel 20NCD2



SH4

Parallel axis helical gear, Steel 20NCD2

## Complementary products



VPPTss

Stainless steel handwheel with handle, Stainless steel 304



SHA\_PTR

Handwheel with folding handle, Polyamide