

- **Manual operating element**
- **Materials:**  
Wheel: glass fibre reinforced polyamide  
Hub: galvanised steel

### Info.

- Revolving handle folds away for safety

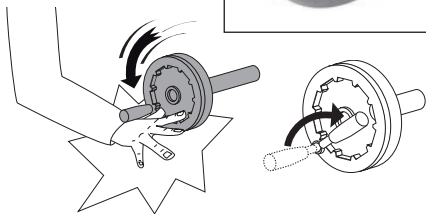
### Options

- Different bore diameters
- Keyways
- See modification info on page 54

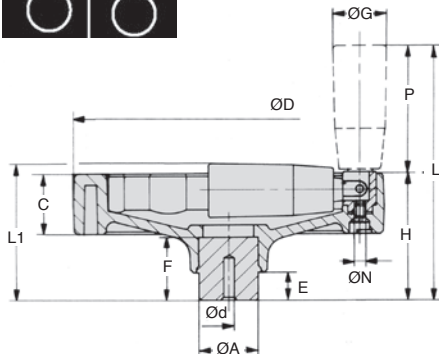
### Uses

- All types of machines

**Great value for money**



### Bore modifications



### DISCOUNTS

Qty	1+	6+	20+
Disc.	List	-5%	On request

Part number	Ød Pre-bore	ØD	H	C	ØA	E	F	L	L1	ØG	P	ØN	Price each
SHA-100-PTR	4	100	46	20	24	12	24	98	50	21	52	M4	✓ 42,14 €
SHA-125-PTR	6	125	51	24	24	12	28	103	54	21	52	M4	✓ 46,79 €
SHA-160-PTR	6	160	61	28	32	15	31	133	65	23	72	M5	✓ 53,09 €
SHA-200-PTR	6	200	74	32	40	15	40	166	79	26	92	M6	✓ 66,54 €

\*Depending on availability - Dimensions in mm

## Our other products



H1

Crossed helical gear  
crossed axis at 90°,  
Steel 20NCD2



HAR9

Captive C washer, DIN  
6371



RTL450

Self-centering locking  
assembly, High torque



DB

Steel bevel gear, 2:1



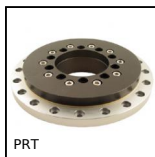
FBL6000\_K19

Brush strip per meter  
horsehair fibres Ø0.2,  
Black horsehair



PSP

Support profile, Panel  
support



PRT

Rotary table iglidur®,  
Iglidur®, aluminium  
and stainless steel



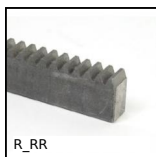
PRF-SCREEN-1

Screen support, Basic  
support



GG3

Ground spur gear,  
Heat treated steel



R\_RR

Narrow spur rack,  
Steel



CTZYSS

Stainless steel diablo  
shaped elasto mount,  
Stainless steel



SLVHlok

Vertical toggle clamp,  
Vertical toggle clamp /  
horizontal foot

## Complementary products



PGR

Folding revolving  
handle for handwheel,  
Folding



VPPTss

Stainless steel  
handwheel with  
handle, Stainless steel  
304



SHA\_PT

Handwheel with  
handle, Polyamide



V3RA\_PT

3-spoked handwheel  
with handle,  
Polyamide