

- **Manual operating element**
- **Materials:**
Wheel: glass fibre reinforced polyamide
Hub: galvanised steel

Options

- Different bore diameters
- Keyways
- See modification info on page 54

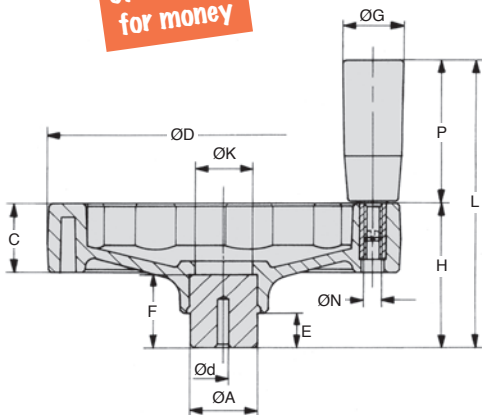
Uses

- All types of machines



Great value
for money

Bore modifications



DISCOUNTS

Qty	1+	6+	20+
Disc.	List	-5%	On request

Part number	Ød		H	C	ØA	E	F	ØK	L	ØG	P	ØN	Stock	Price each
	Pre-bore	ØD												1 to 5
SHA-100-PT	4	100	46	20	24	12	24	18	96	21	50	M6	✓	17,89 €
SHA-125-PT	6	125	51	24	24	12	28	20	101	21	50	M6	✓	21,63 €
SHA-160-PT	6	160	61	28	32	15	31	30	131	23	70	M8	✓	28,09 €
SHA-200-PT	6	200	74	32	40	15	40	35	164	26	90	M10	✓	40,36 €

*Depending on availability - Dimensions in mm

Our other products



SSB

Stainless steel bevel gear, 1:1



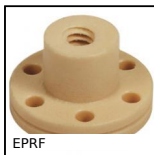
HK

Manual locking clamp, Manual locking clamp LRX



CHB

Reaction arm, CHB gear reducers reaction arm



EPRF

High helix leadscrew, Flanged nut - up to 40mm per rotation



BPLF

Ball transfer unit light duty, Light



S4

Chain sprocket-stainless steel, 4mm



VTLF

3 lobed handle, Polyamide - Brass



YG3

HEAVY DUTY spur gear, Steel 35NCD6



GG2

Ground spur gear, Heat treated steel



MEB

Moulded plastic bevel gear (nylon), 1:1



CHA35

Hinge for aluminium profile, Hinge



BOX-TOR-MAX

Box set of Nitrile O-rings in nitrile, 2.90 x 1.78mm to 82.14 x 3.53

Complementary products



VPPTss

Stainless steel handwheel with handle, Stainless steel 304



SHA_PTR

Handwheel with folding handle, Polyamide