

- **Manual operating element**
- **Materials:**
Wheel: glass fibre reinforced polyamide
Hub: galvanised steel

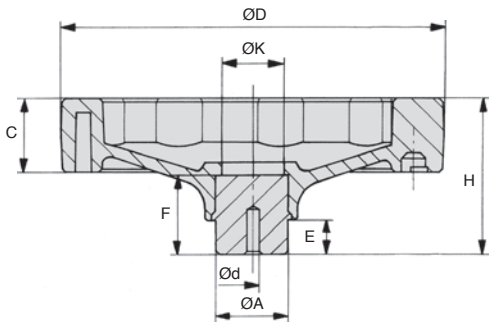
Great value for money

Options

- Different bore diameters
- Keyways
- See modification info on page 54

Uses

- All types of machines



Bore modifications



DISCOUNTS

Qty	1+	6+	20+
Disc.	List	-5%	On request

Part number	Ød		H	C	ØA	E	F	ØK	Stock*	Price each 1 to 5
	Pre-bore	ØD								
SHA-100	4	100	46	20	24	12	24	18	✓	12,05 €
SHA-125	6	125	51	24	24	12	28	20	-	14,14 €
SHA-160	6	160	61	28	32	15	31	30	✓	20,93 €
SHA-200	6	200	74	32	40	15	40	35	✓	31,69 €

*Depending on availability - Dimensions in mm

Our other products



AT5-10ECO

AT type timing pulley,
Economy range - AT5
aluminium



CCL

Standard wire
thimble, Steel



LF

Precision locknut,
Precision locknut



FBL4004_K32

Brush strip per metre,
Black striated
polypropylene (PP)



GE_C

Spherical bushing,
Hard chromium / PTFE



BOX-TOR-B

Box set of Nitrile O-
rings in nitrile, 20.38 x
1.78mm to 50.16 x
5.34



PR125

Articulated foot Ø123,
Ø 123



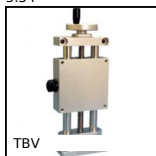
T10-BAR

T type tooth bar
stock, T10



PRFSRAD

Dual lock for
aluminium profile,



TBV

Manual lifting tables,
12kg



WS20

Drylin® W rail, Rail



DOMI50

Connecting kits, XZ
linking kit

Complementary products



VPPTss

Stainless steel
handwheel with
handle, Stainless steel
304



SHA_PTR

Handwheel with
folding handle,
Polyamide